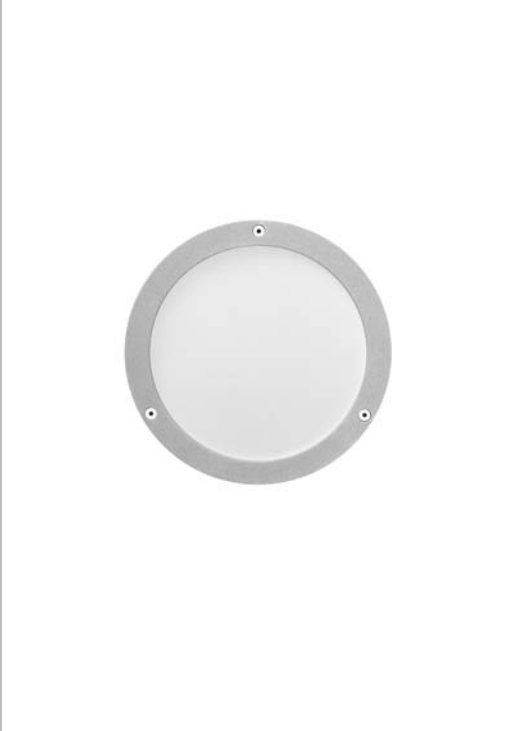


OD-6008

WALL RECESSED LIGHT

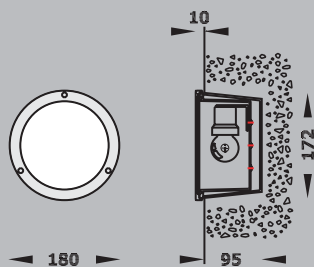


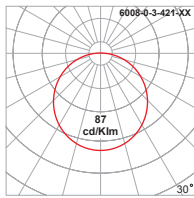
SPECIFICATION

- CONSTRUCTION:** Fixture is manufactured in compliance with IEC 60598-1 and tested by UL Demko laboratory in Denmark. Electrical protection class 1. IP65.
- BODY:** Housing and cover in corrosion resistant high-pressure die-cast aluminium ADC12 alloy. Wall installation housing in polyamid - PA6.6
- OPTIC COVER:** Impact resistant white safety tempered glass. Able to stand sudden change in temperature of up to 250°C.
- PROTECTION:** Weather proof and durable silicone gasket. Service temperature -40° to +200°C.
- FASTENING:** All external screw is in 316 stainless steel with silicone grease dipping.
- CABLE ENTRY:** Protected by two weather proof IP67 PG11 synthesized rubber grommet for H07RN-F cable 3G x1.0 Possible for through wiring.
- LAMP HOLDER:** G24d-1 holder in PBT phosphor bronze contact from AAG Stucchi - Italy / ENEC approved. For compact fluorescent lamp. T140 rating 2A-250V.
E27 ceramic nickle-coated contact from Vossloh Schwabe - Germany / ENEC approved. For incandescent lamp. T270 rating 4/250/5kV.
- CONTROL GEAR:** Magnetic ballast from Vossloh Schwabe - Germany / ENEC approved. 230V 50Hz tw130. For compact fluorescent lamp. B2 EEI class.
- WIRING:** 1x0.75 tinned copper silicone rubber insulated cable from CET Eletric - Italy / IMQ approved. 2kV / -60° to +180°C service temperature. Connector in PA6.6 nickle-plated brass insert. 600V/24A. -40° to +130°C service temperature. Cross section 2.5mm² VDE approved. Wiring provided with earth connection.
- PAINTING:** First Stage: Chromatization treatment, resistant to corrosive and extreme environment.
Second Stage: Coated with UV stabilized polyester powder in automatic chamber.
Third Stage: Baked in digital temperature control room at 200°C for 30 minutes.

AVAILABLE COLOR:

- | | |
|------------------|------------------------------------------------------------|
| Black | - RAL9005 (replace last 2 digits on ordering code with 01) |
| Graphite | - RAL7016 (replace last 2 digits on ordering code with 02) |
| Dark Grey | - RAL7037 (replace last 2 digits on ordering code with 03) |
| Aluminium Silver | - RAL9006 (replace last 2 digits on ordering code with 04) |
| White | - RAL9010 (replace last 2 digits on ordering code with 06) |





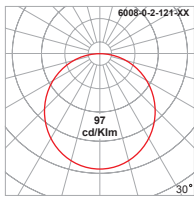
COMPACT FLUORESCENT

Ordering Code:

6008-0-3-421-XX

TC-D G24d-1

10W (600 lm)



INCANDESCENT

Ordering Code:

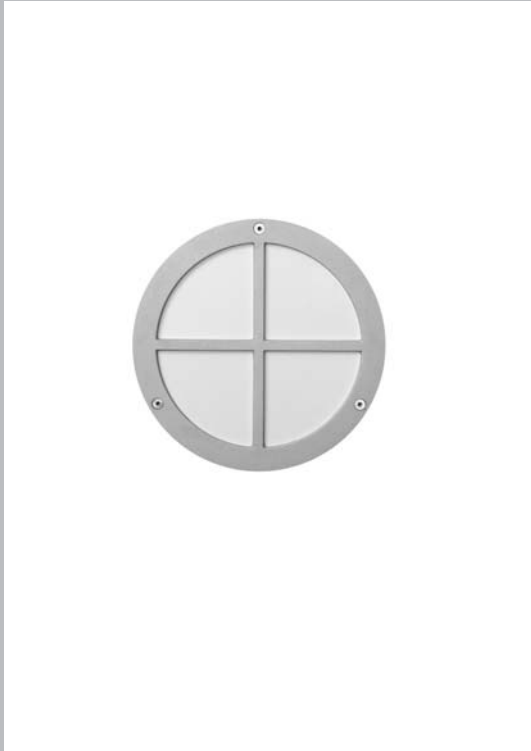
6008-0-2-121-XX

D45 E27

40W (400 lm)

OD-6009

WALL RECESSED LIGHT

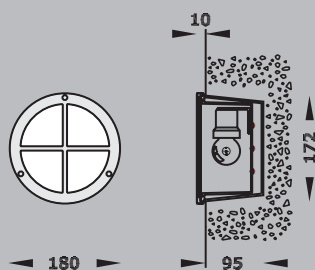


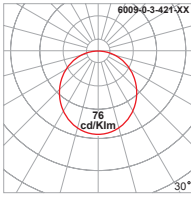
SPECIFICATION

- CONSTRUCTION:** Fixture is manufactured in compliance with IEC 60598-1 and tested by UL Demko laboratory in Denmark. Electrical protection class 1. IP65.
- BODY:** Housing and cover in corrosion resistant high-pressure die-cast aluminium ADC12 alloy. Wall installation housing in polyamid - PA6.6
- OPTIC COVER:** Impact resistant white safety tempered glass. Able to stand sudden change in temperature of up to 250°C.
- PROTECTION:** Weather proof and durable silicone gasket. Service temperature -40°to +200°C.
- FASTENING:** All external screw is in 316 stainless steel with silicone grease dipping.
- CABLE ENTRY:** Protected by two weather proof IP67 PG11 synthesized rubber grommet for H07RN-F cable 3G x1.0 Possible for through wiring.
- LAMP HOLDER:** G24d-1 holder in PBT phosphor bronze contact from AAG Stucchi - Italy / ENEC approved. For compact fluorescent lamp. T140 rating 2A-250V.
E27 ceramic nickle-coated contact from Vossloh Schwabe - Germany / ENEC approved. For incandescent lamp. T270 rating 4/250/5kV.
- CONTROL GEAR:** Magnetic ballast from Vossloh Schwabe - Germany / ENEC approved. 230V 50Hz tw130. For compact fluorescent lamp. B2 EEI class.
- WIRING:** 1x0.75 tinned copper silicone rubber insulated cable from CET Eletric - Italy / IMQ approved. 2kV / -60°to +180°C service temperature. Connector in PA6.6 nickle-plated brass insert. 600V/24A. -40°to +130°C service temperature. Cross section 2.5mm² VDE approved. Wiring provided with earth connection.
- PAINTING:** First Stage: Chromatization treatment, resistant to corrosive and extreme environment.
Second Stage: Coated with UV stabilized polyester powder in automatic chamber.
Third Stage: Baked in digital temperature control room at 200°C for 30 minutes.

AVAILABLE COLOR:

- | | |
|------------------|------------------------------------------------------------|
| Black | - RAL9005 (replace last 2 digits on ordering code with 01) |
| Graphite | - RAL7016 (replace last 2 digits on ordering code with 02) |
| Dark Grey | - RAL7037 (replace last 2 digits on ordering code with 03) |
| Aluminium Silver | - RAL9006 (replace last 2 digits on ordering code with 04) |
| White | - RAL9010 (replace last 2 digits on ordering code with 06) |





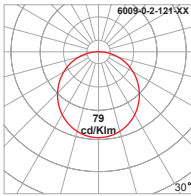
COMPACT FLUORESCENT

Ordering Code:

6009-0-3-421-XX

TC-D G24d-1

10W (600 lm)



INCANDESCENT

Ordering Code:

6009-0-2-121-XX

D45 E27

40W (400 lm)

OD-6012 / OD-6013 / OD-6014

WALL RECESSED LIGHT



OD-6012

OD-6013

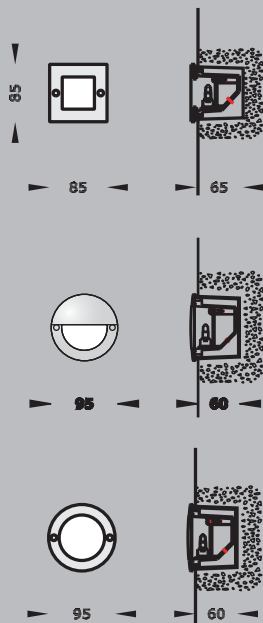
OD-6014

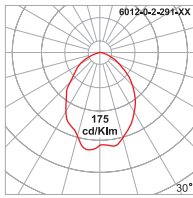
SPECIFICATION

- CONSTRUCTION:** Fixture is manufactured in compliance with IEC 60598-1. Electrical protection class 3. IP55.
- BODY:** Housing and cover in corrosion resistant high-pressure die-cast aluminium ADC12 alloy. Wall installation housing in polyamid - PA6.6
- OPTIC COVER:** Self-extinguishing high impact resistant prismatic polycarbonate diffuser. with UV stabilized additive. Material from Bayer - Germany or Teijin - Japan.
- PROTECTION:** Weather proof and durable silicone gasket. Service temperature -40°to +200°C.
- FASTENING:** All external screw is in 316 stainless steel with silicone grease dipping.
- CABLE ENTRY:** Protected by weather proof IP67 PG11 synthesized rubber grommet for H05RN-F cable 2 x1.0
- LAMP HOLDER:** G4 lampholder in PPS body CuNiZn contact from Vossloh Schwabe - Germany / ENEC approved. For low voltage halogen lamp. T240 rating 4/24
- WIRING:** Leads come with lampholder in Cu tinned conductor with Si insulation. Connector in PA6.6 nickle-plated brass insert. 600V/24A. -40°to +130°C service temperature. Cross section 1.5mm² VDE approved.
- PAINTING:** First Stage: Chromatization treatment, resistant to corrosive and extreme environment.
Second Stage: Coated with UV stabilized polyester powder in automatic chamber.
Third Stage: Baked in digital temperature control room at 200°C for 30 minutes.

AVAILABLE COLOR:

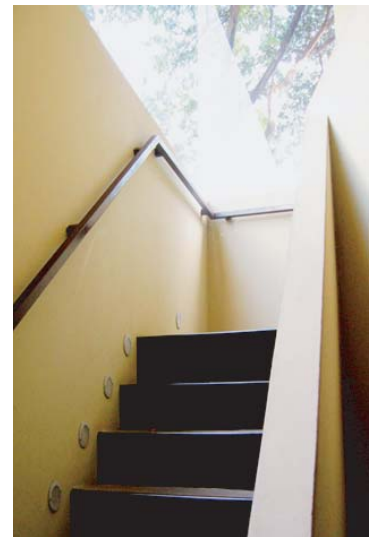
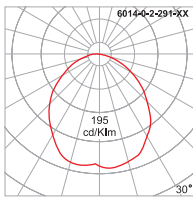
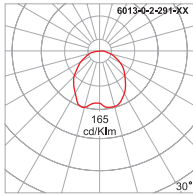
- | | |
|------------------|------------------------------------------------------------|
| Black | - RAL9005 (replace last 2 digits on ordering code with 01) |
| Graphite | - RAL7016 (replace last 2 digits on ordering code with 02) |
| Dark Grey | - RAL7037 (replace last 2 digits on ordering code with 03) |
| Aluminium Silver | - RAL9006 (replace last 2 digits on ordering code with 04) |
| White | - RAL9010 (replace last 2 digits on ordering code with 06) |





LOW VOLTAGE TUNGSTEN HALOGEN

Ordering Code:
6012-0-2-291-XX
6013-0-2-291-XX
6014-0-2-291-XX
QT9 G4
10W (140 lm)



OD-6021

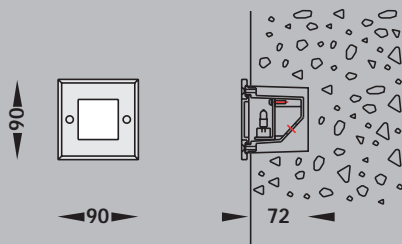
LED WALL RECESSED LIGHT



NEW ITEM

SPECIFICATION

- CONSTRUCTION:** Fixture is manufactured in compliance with IEC 60598-1. Electrical protection class 3. IP55.
- BODY:** Front cover in anti-corrosion stainless steel in satin finished. Housing in corrosion resistant high-pressure die-cast aluminium ADC12 alloy. Wall installation housing in polyamid - PA6.6
- OPTIC COVER:** Impact resistant white safety tempered glass. Able to stand sudden change in temperature of up to 250°C.
- PROTECTION:** Weather proof and durable silicone gasket. Service temperature -40° to +200°C.
- FASTENING:** All external screw is in 316 stainless steel with silicone grease dipping.
- CABLE ENTRY:** Protected by weather proof IP67 PG11 synthesized rubber grommet for H05RN-F cable 2 x0.75
- LED UNIT:** Orsam Golden Dragon 1 watt. 1.6mm double sided FR4 PCB board. Built-in LED electronic converter. Provided with aluminium heat sink. Can be connected directly to 12V AC halogen transformer.
- WIRING:** Pre-wired with 1.5 meters H05RN-F cable 2x0.75 from Italy / IMQ approved.
- PAINTING:** First Stage: Chromatization treatment, resistant to corrosive and extreme environment.
Second Stage: Coated with UV stabilized polyester powder in automatic chamber.
Third Stage: Baked in digital temperature control room at 200°C for 30 minutes.



NEW ITEM

Available LED color:

White 1W 30 lm

Ordering Code: **6021-0-2-991-91**

Blue 1W 8 lm

Ordering Code: **6021-0-2-992-91**

Green 1W 33 lm

Ordering Code: **6021-0-2-993-91**



OD-6022

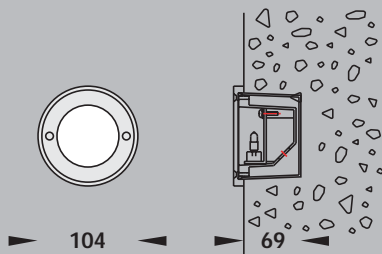
LED WALL RECESSED LIGHT



NEW ITEM

SPECIFICATION

- CONSTRUCTION:** Fixture is manufactured in compliance with IEC 60598-1. Electrical protection class 3. IP55.
- BODY:** Front cover in anti-corrosion stainless steel in satin finished. Housing in corrosion resistant high-pressure die-cast aluminium ADC12 alloy. Wall installation housing in polyamid - PA6.6
- OPTIC COVER:** Impact resistant white safety tempered glass. Able to stand sudden change in temperature of up to 250°C.
- PROTECTION:** Weather proof and durable silicone gasket. Service temperature -40°to +200°C.
- FASTENING:** All external screw is in 316 stainless steel with silicone grease dipping.
- CABLE ENTRY:** Protected by weather proof IP67 PG11 synthesized rubber grommet for H05RN-F cable 2 x0.75
- LED UNIT:** Orsam Golden Dragon 1 watt. 1.6mm double sided FR4 PCB board. Built-in LED electronic converter. Provided with aluminium heat sink. Can be connected directly to 12V AC halogen transformer.
- WIRING:** Pre-wired with 1.5 meters H05RN-F cable 2x0.75 from Italy / IMQ approved.
- PAINTING:** First Stage: Chromatization treatment, resistant to corrosive and extreme environment.
Second Stage: Coated with UV stabilized polyester powder in automatic chamber.
Third Stage: Baked in digital temperature control room at 200°C for 30 minutes.



NEW ITEM

Available LED color:

White 1W 30 lm

Ordering Code: **6022-0-2-991-91**

Blue 1W 8 lm

Ordering Code: **6022-0-2-992-91**

Green 1W 33 lm

Ordering Code: **6022-0-2-993-91**



OD-6015

WALL RECESSED LIGHT

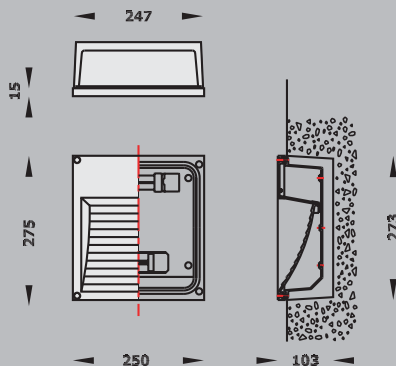


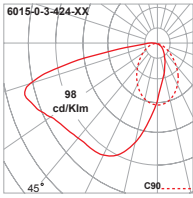
SPECIFICATION

- CONSTRUCTION:** Fixture is manufactured in compliance with IEC 60598-1 and tested by UL Demko laboratory in Denmark. Electrical protection class 1. IP65.
- BODY:** Housing and cover in corrosion resistant high-pressure die-cast aluminium ADC12 alloy. Wall installation housing in polyamid - PA6.6
- OPTIC COVER:** Impact resistant prismatic safety tempered glass. Able to stand sudden change in temperature of up to 250°C.
- PROTECTION:** Weather proof and durable silicone gasket. Service temperature -40° to +200°C.
- FASTENING:** All external screw is in 316 stainless steel with silicone grease dipping.
- CABLE ENTRY:** Protected by two weather proof IP67 PG11 synthesized rubber grommet for H07RN-F cable 3G x1.0 Possible for through wiring.
- LAMP HOLDER:** G24d-3 holder in PBT phosphor bronze contact from AAG Stucchi - Italy / ENEC approved. For compact fluorescent lamp. T140 rating 2A-250V.
E27 ceramic nickle-coated contact from Vossloh Schwabe - Germany / ENEC approved. For tungsten halogen lamp. T270 rating 4/250/5kV.
- CONTROL GEAR:** Magnetic ballast from Vossloh Schwabe - Germany / ENEC approved. 230V 50Hz tw130. For compact fluorescent lamp. B2 EEI class.
- WIRING:** 1x0.75 tinned copper silicone rubber insulated cable from CET Electric - Italy / IMQ approved. 2kV / -60° to +180°C service temperature. Connector in PA6.6 nickle-plated brass insert. 600V/24A. -40° to +130°C service temperature. Cross section 2.5mm² VDE approved. Wiring provided with earth connection.
- PAINTING:** First Stage: Chromatization treatment, resistant to corrosive and extreme environment.
Second Stage: Coated with UV stabilized polyester powder in automatic chamber.
Third Stage: Baked in digital temperature control room at 200°C for 30 minutes.

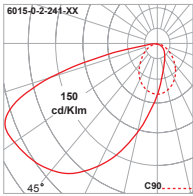
AVAILABLE COLOR:

- | | |
|------------------|------------------------------------------------------------|
| Black | - RAL9005 (replace last 2 digits on ordering code with 01) |
| Graphite | - RAL7016 (replace last 2 digits on ordering code with 02) |
| Dark Grey | - RAL7037 (replace last 2 digits on ordering code with 03) |
| Aluminium Silver | - RAL9006 (replace last 2 digits on ordering code with 04) |
| White | - RAL9010 (replace last 2 digits on ordering code with 06) |





COMPACT FLUORESCENT
 Ordering Code:
6015-0-3-424-XX
 TC-D G24d-3
 26W (1800 lm)



TUNGSTEN HALOGEN
 Ordering Code:
6015-0-2-241-XX
 QT32 E27
 60W (840 lm)



OD-6016

WALL RECESSED LIGHT FOR
DISCHARGE LAMP



NEW FOR 2006

THIS IS PROVISION DATA ONLY.
ACTUAL DIMENSION AND LOOK
MAY DIFFER FROM THIS.

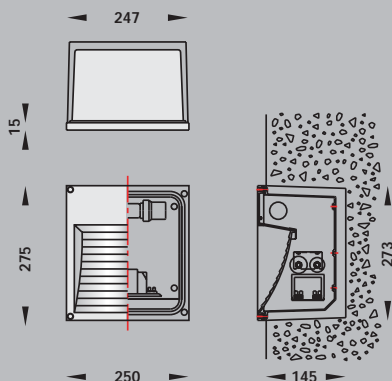


SPECIFICATION

- CONSTRUCTION:** Fixture is manufactured in compliance with IEC 60598-1. Electrical protection class 1. IP65.
- BODY:** Housing and cover in corrosion resistant high-pressure die-cast aluminium ADC12 alloy. Wall installation housing in polyamid - PA6.6
- OPTIC COVER:** Impact resistant prismatic safety tempered glass. Able to stand sudden change in temperature of up to 250°C.
- PROTECTION:** Weather proof and durable silicone gasket. Service temperature -40°to +200°C.
- FASTENING:** All external screw is in 316 stainless steel with silicone grease dipping.
- CABLE ENTRY:** Protected by two weather proof IP67 PG11 synthesized rubber grommet for H07RN-F cable 3G x1.0 Possible for through wiring.
- LAMP HOLDER:** Rx7s holder in steatite body with electrolytic silver contact from EMC Colosio - Italy / ENEC approved. For discharge lamp and halogen lamp. T250 rating 6/1000/5kV. E27 ceramic nickle-coated contact from Vossloh Schwabe - Germany / ENEC approved. For discharge lamp. T270 rating 4/250/5kV.
- CONTROL GEAR:** Magnetic ballast from Vossloh Schwabe - Germany / ENEC approved. 230V 50Hz tw130. For discharge lamp. Electronic superimposed ignitor with automatic switch-off feature from Vossloh Schwabe - Germany / ENEC approved. Ignition voltage 4-5kV 220-240V 50-60Hz. For ceramic/quartz discharge lamp. Power factor correction for discharge lamp from Vossloh Schwabe - Germany or from Electronicon - Germany. ENEC approved.
- WIRING:** 1x0.75 silicone rubber insulated cable with fiberglass braid from CET Eletric - Italy / IMQ approved. 2kV / -60°to +180°C service temperature. Double silicone insulation ignition wire. Tinned copper conductor. Impulsive voltage 5kV. Connector in glass-fiber reinforced PA6.6 from BM - Italy / ENEC approved. Service temperature up to 200°C. Cross section 4mm² Rating 4A/400V. Wiring provided with earth connection.
- PAINTING:** First Stage: Chromatzation treatment, resistant to corrosive and extreme environment. Second Stage: Coated with UV stabilized polyester powder in automatic chamber. Third Stage: Baked in digital temperature control room at 200°C for 30 minutes.

AVAILABLE COLOR:

- Black - RAL9005 (replace last 2 digits on ordering code with 01)
- Graphite - RAL7016 (replace last 2 digits on ordering code with 02)
- Dark Grey - RAL7037 (replace last 2 digits on ordering code with 03)
- Aluminium Silver - RAL9006 (replace last 2 digits on ordering code with 04)
- White - RAL9010 (replace last 2 digits on ordering code with 06)



NEW FOR 2006

THIS IS PROVISION DATA ONLY.
ACTUAL DIMENSION AND LOOK
MAY DIFFER FROM THIS.

METAL HALIDE
Ordering Code:
6016-0-3-731-XX
HTI-DE-CE Rx7s
70W (6500 lm)

METAL HALIDE
Ordering Code:
6016-0-3-721-XX
HIT-CE E27
70W (6500 lm)

HIGH PRESSURE SODIUM
Ordering Code:
6016-0-3-631-XX
HST-DE Rx7s
70W (6800 lm)

HIGH PRESSURE SODIUM
Ordering Code:
6016-0-3-621-XX
HST-MF E27
70W (6600 lm)



OD-6031

WALL RECESSED LIGHT



NEW FOR 2006

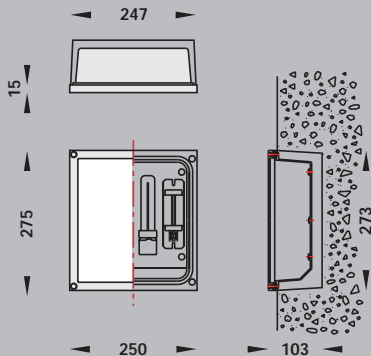
THIS IS PROVISION DATA ONLY.
ACTUAL DIMENSION AND LOOK
MAY DIFFER FROM THIS.

SPECIFICATION

- CONSTRUCTION:** Fixture is manufactured in compliance with IEC 60598-1. Electrical protection class 1. IP65.
- BODY:** Housing and cover in corrosion resistant high-pressure die-cast aluminium ADC12 alloy. Wall installation housing in polyamid - PA6.6
- OPTIC COVER:** Impact resistant white safety tempered glass. Able to stand sudden change in temperature of up to 250°C.
- PROTECTION:** Weather proof and durable silicone gasket. Service temperature -40°to +200°C.
- FASTENING:** All external screw is in 316 stainless steel with silicone grease dipping.
- CABLE ENTRY:** Protected by two weather proof IP67 PG11 synthesized rubber grommet for H07RN-F cable 3G x1.0 Possible for through wiring.
- LAMP HOLDER:** G24d-3 holder in PBT phosphor bronze contact from AAG Stucchi - Italy / ENEC approved. For compact fluorescent lamp. T140 rating 2A-250V.
E27 ceramic nickle-coated contact from Vossloh Schwabe - Germany / ENEC approved. For tungsten halogen lamp. T270 rating 4/250/5kV.
- CONTROL GEAR:** Magnetic ballast from Vossloh Schwabe - Germany / ENEC approved. 230V 50Hz tw130. For compact fluorescent lamp. B2 EEI class.
- WIRING:** 1x0.75 tinned copper silicone rubber insulated cable from CET Eletric - Italy / IMQ approved. 2kV / -60°to +180°C service temperature. Connector in PA6.6 nickle-plated brass insert. 600V/24A. -40° to +130°C service temperature. Cross section 2.5mm² VDE approved. Wiring provided with earth connection.
- PAINTING:** First Stage: Chromatzation treatment, resistant to corrosive and extreme environment.
Second Stage: Coated with UV stabilized polyester powder in automatic chamber.
Third Stage: Baked in digital temperature control room at 200°C for 30 minutes.

AVAILABLE COLOR:

- | | |
|------------------|------------------------------------------------------------|
| Black | - RAL9005 (replace last 2 digits on ordering code with 01) |
| Graphite | - RAL7016 (replace last 2 digits on ordering code with 02) |
| Dark Grey | - RAL7037 (replace last 2 digits on ordering code with 03) |
| Aluminium Silver | - RAL9006 (replace last 2 digits on ordering code with 04) |
| White | - RAL9010 (replace last 2 digits on ordering code with 06) |



NEW FOR 2006

THIS IS PROVISION DATA ONLY.
ACTUAL DIMENSION AND LOOK
MAY DIFFER FROM THIS.

COMPACT FLUORESCENT

Ordering Code:

6031-0-3-424-XX

TC-D G24d-3

26W (1800 lm)

COMPACT FLUORESCENT

Ordering Code:

6031-0-3-428-XX

TC-D G24d-3

2x26W (2x1800 lm)

TUNGSTEN FLUORESCENT

Ordering Code:

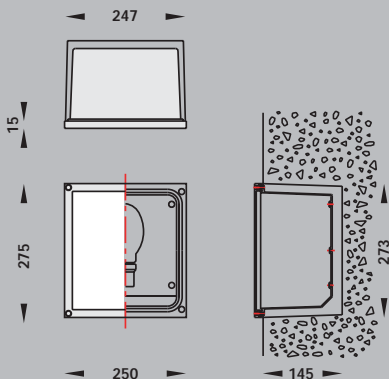
6031-0-2-241-XX

QT32 E27

60W (840 lm)

OD-6032

WALL RECESSED LIGHT FOR DISCHARGE LAMP



SPECIFICATION

- CONSTRUCTION:** Fixture is manufactured in compliance with IEC 60598-1. Electrical protection class 1. IP65.
- BODY:** Housing and cover in corrosion resistant high-pressure die-cast aluminium ADC12 alloy. Wall installation housing in polyamid - PA6.6
- OPTIC COVER:** Impact resistant white safety tempered glass. Able to stand sudden change in temperature of up to 250°C.
- PROTECTION:** Weather proof and durable silicone gasket. Service temperature -40° to +200°C.
- FASTENING:** All external screw is in 316 stainless steel with silicone grease dipping.
- CABLE ENTRY:** Protected by two weather proof IP67 PG11 synthesized rubber grommet for H07RN-F cable 3G x1.0 Possible for through wiring.
- LAMP HOLDER:** E27 ceramic nickle-coated contact from Vossloh Schwabe - Germany / ENEC approved. For discharge lamp. T270 rating 4/250/5kV.
- CONTROL GEAR:** Magnetic ballast from Vossloh Schwabe - Germany / ENEC approved. 230V 50Hz tw130. For discharge lamp. Electronic superimposed ignitor with automatic switch-off feature from Vossloh Schwabe - Germany / ENEC approved. Ignition voltage 4-5kV 220-240V 50-60Hz. For ceramic/quartz discharge lamp. Power factor correction for discharge lamp from Vossloh Schwabe - Germany or from Electronicon - Germany. ENEC approved.
- WIRING:** 1x0.75 silicone rubber insulated cable with fiberglass braid from CET Eletric - Italy / IMQ approved. 2kV / -60° to +180°C service temperature. Double silicone insulation ignition wire. Tinned copper conductor. Impulsive voltage 5kV. Connector in glass-fiber reinforced PA6.6 from BM - Italy / ENEC approved. Service temperature up to 200°C. Cross section 4mm² Rating 4A/400V. Wiring provided with earth connection.
- PAINTING:** First Stage: Chromatzation treatment, resistant to corrosive and extreme environment. Second Stage: Coated with UV stabilized polyester powder in automatic chamber. Third Stage: Baked in digital temperature control room at 200°C for 30 minutes.

AVAILABLE COLOR:

- Black - RAL9005 (replace last 2 digits on ordering code with 01)
- Graphite - RAL7016 (replace last 2 digits on ordering code with 02)
- Dark Grey - RAL7037 (replace last 2 digits on ordering code with 03)
- Aluminium Silver - RAL9006 (replace last 2 digits on ordering code with 04)
- White - RAL9010 (replace last 2 digits on ordering code with 06)

METAL HALIDE
Ordering Code:
6032-0-3-711-XX
HIE-CE E27
70W (5900 lm)

HIGH PRESSURE SODIUM
Ordering Code:
6032-0-3-611-XX
HSE-I E27
70W (6000 lm)

MERCURY VAPOUR
Ordering Code:
6032-0-3-511-XX
HME E27
80W (4000 lm)