

OD-7503 / OD-7504

WALL BRACKET LIGHT



OD-7503



OD-7504

NEW ITEM

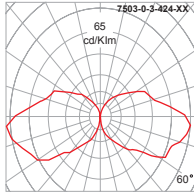
SPECIFICATION

CONSTRUCTION:	Fixture is manufactured in compliance with IEC 60598-1 Electrical protection class 1. IP54.
BODY:	Corrosion resistant extrusion aluminium S6063 alloy - copper<0.1% Head components, base and wall bracket in corrosion resistant high-pressure die-cast aluminium ADC12 alloy.
OPTIC COVER:	Self-extinguishing high impact resistant prismatic polycarbonate diffuser. with UV stabilized additive. Material from Bayer - Germany or Teijin - Japan.
REFLECTOR:	High purity anodised aluminium on top.
PROTECTION:	Weather proof and durable silicone gasket. Service temperature -40°to +200°C.
FASTENING:	All external screw is in 316 stainless steel with silicone grease dipping.
CABLE ENTRY:	Protected by weather proof IP67 PG11 synthesized rubber grommet for H07RN-F cable 3G x1.0
LAMP HOLDER:	E27 ceramic nickle-coated contact from Vossloh Schwabe - Germany / ENEC approved. For tungsten halogen lamp. T270 rating 4/250/5kV. G24d-3 holder in PBT phosphor bronze contact from AAG Stucchi - Italy / ENEC approved. For compact fluorescent lamp. T140 rating 2A-250V.
CONTROL GEAR:	Magnetic ballast from Vossloh Schwabe - Germany / ENEC approved. 230V 50Hz tw130. EEI B2 class for compact fluorescent lamps.
WIRING:	1x0.75 tinned copper silicone rubber insulated cable from CET Electric - Italy / IMQ approved. 2kV / -60°to +180°C service temperature. Quick connector in PA6.6 from ADELS - Germany / VDE approved. Rating 16A/250V. Service temperature up to 160°C. Tinned brass contact. Cross section 2.5mm ² Wiring provided with earth connection.
PAINTING:	First Stage: Chromatization treatment, resistant to corrosive and extreme environment. Second Stage: Coated with UV stabilized polyester powder in automatic chamber. Third Stage: Baked in digital temperature control room at 200°C for 30 minutes.

AVAILABLE COLOR:

Black	- RAL9005 (replace last 2 digits on ordering code with 01)
Graphite	- RAL7016 (replace last 2 digits on ordering code with 02)
Dark Grey	- RAL7037 (replace last 2 digits on ordering code with 03)
Aluminium Silver	- RAL9006 (replace last 2 digits on ordering code with 04)
White	- RAL9010 (replace last 2 digits on ordering code with 06)

NEW ITEM



COMPACT FLUORESCENT

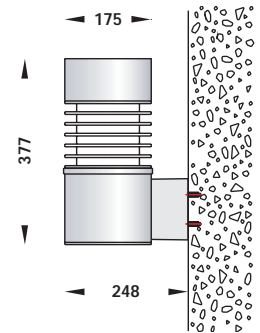
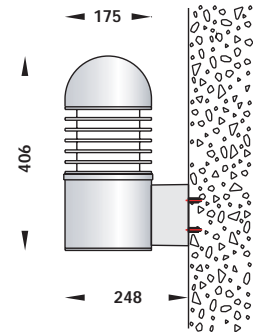
Ordering code:
7503-0-3-424-XX
7504-0-3-424-XX
TC-D G24d-3
26W (1800 lm)

E27 COMPACT FLUORESCENT

Ordering code:
7503-0-2-495-XX
7504-0-2-495-XX
TC-TSE E27
23W (1500 lm)

TUNGSTEN HALOGEN

Ordering Code:
7503-0-2-241-XX
7504-0-2-241-XX
QT32 E27
60W (840 lm)



OD-7505 / OD-7515

WALL BRACKET LIGHT



OD-7505



OD-7515

NEW ITEM

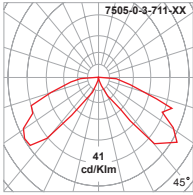
SPECIFICATION

- CONSTRUCTION:** Fixture is manufactured in compliance with IEC 60598-1 and tested by UL-Demko laboratory in Denmark. Electrical protection class 1. IP65.
- BODY:** Corrosion resistant extrusion aluminium S6063 alloy - copper<0.1% Head components, base and wall bracket in corrosion resistant high-pressure die-cast aluminium ADC12 alloy.
- OPTIC COVER:** Self-extinguishing high impact resistant clear polycarbonate diffuser. with UV stabilized additive. Material from Bayer - Germany or Teijin - Japan.
- REFLECTOR:** High purity anodised aluminium on top.
- PROTECTION:** Weather proof and durable silicone gasket. Service temperature -40°to +200°C.
- FASTENING:** All external screw is in 316 stainless steel with silicone grease dipping.
- CABLE ENTRY:** Protected by weather proof IP67 PG11 synthesized rubber grommet for H07RN-F cable 3G x1.0
- LAMP HOLDER:** E27 ceramic nickle-coated contact from Vossloh Schwabe - Germany / ENEC approved. For discharge/tungsten halogen lamp. T270 rating 4/250/5kV. G24d-3 / Gx24q-4 holder in PBT phosphor bronze contact from AAG Stucchi - Italy / ENEC approved. For compact fluorescent lamp. T140 rating 2A-250V.
- CONTROL GEAR:** Magnetic ballast from Vossloh Schwabe - Germany / ENEC approved. 230V 50Hz tw130. For discharge lamp and B2 class for compact fluorescent lamps. High frequency electronic ballast from Vossloh Schwabe - Germany / ENEC approved. 220-240V 0-50-60Hz tc70 A2 EEI class. For 4 pins compact fluorescent lamp. Electronic superimposed ignitor with automatic switch-off feature from Vossloh Schwabe - Germany / ENEC approved. Ignition voltage 4-5kV 220-240V 50-60Hz. For ceramic/quartz discharge lamp. Power factor correction for discharge lamp from Vossloh Schwabe - Germany or from Electronicon - Germany. ENEC approved.
- WIRING:** 1x0.75 tinned copper silicone rubber insulated cable from CET Eletric - Italy / IMQ approved. 2kV / -60°to +180°C service temperature. Double silicone insulation ignition wire. Tinned copper condutor. Impulsive voltage 5kV. Quick connector in PA6.6 from ADELS - Germany / VDE approved. Rating 16A/250V. Service temperature up to 160°C. Tinned brass contact. Cross section 2.5mm². Wiring provided with earth connection.
- PAINTING:** First Stage: Chromatzation treatment, resistant to corrosive and extreme environment. Second Stage: Coated with UV stabilized polyester powder in automatic chamber. Third Stage: Baked in digital temperature control room at 200°C for 30 minutes.

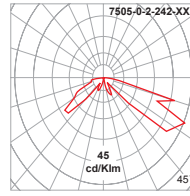
AVAILABLE COLOR:

- Black - RAL9005 (replace last 2 digits on ordering code with 01)
- Graphite - RAL7016 (replace last 2 digits on ordering code with 02)
- Dark Grey - RAL7037 (replace last 2 digits on ordering code with 03)
- Aluminium Silver - RAL9006 (replace last 2 digits on ordering code with 04)
- White - RAL9010 (replace last 2 digits on ordering code with 06)

NEW ITEM

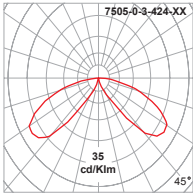


METAL HALIDE
 Ordering Code:
7505-0-3-711-XX
7515-0-3-711-XX
 HIE-CE E27
 70W (5900 lm)

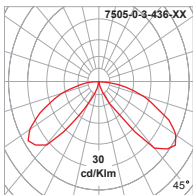


TUNGSTEN HALOGEN
 Ordering Code:
7505-0-2-242-XX
7515-0-2-242-XX
 QT32 E27
 100W (1550 lm)

HIGH PRESSURE SODIUM
 Ordering Code:
7505-0-3-611-XX
7515-0-3-611-XX
 HSE-I E27
 70W (6000 lm)



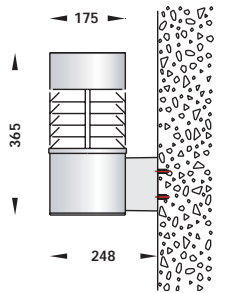
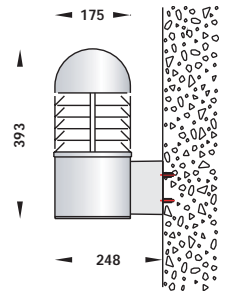
MERCURY VAPOUR
 Ordering Code:
7505-0-3-511-XX
7515-0-3-511-XX
 HME E27
 80W (4000 lm)



COMPACT FLUORESCENT
 Ordering code:
7505-0-3-424-XX
7515-0-3-424-XX
 TC-D G24d-3
 26W (1800 lm)

COMPACT FLUORESCENT
 Ordering code:
7505-0-3-436-XX
7515-0-3-436-XX
 TC-TEL Gx24q-4
 42W (3200 lm)

E27 COMPACT FLUORESCENT
 Ordering Code:
7505-0-2-495-XX
7515-0-2-495-XX
 TC-TSE E27
 23W (1500 lm)



OD-7507 / OD-7508

WALL BRACKET LIGHT



OD-7507



OD-7508

NEW ITEM

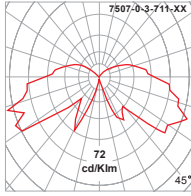
SPECIFICATION

- CONSTRUCTION:** Fixture is manufactured in compliance with IEC 60598-1 and tested by UL-Demko laboratory in Denmark. Electrical protection class 1. IP54.
- BODY:** Corrosion resistant extrusion aluminium S6063 alloy - copper<0.1% Head components, base and wall bracket in corrosion resistant high-pressure die-cast aluminium ADC12 alloy.
- OPTIC COVER:** Self-extinguishing high impact resistant clear polycarbonate diffuser. with UV stabilized additive. Material from Bayer - Germany or Teijin - Japan.
- REFLECTOR:** High purity anodised slanted aluminium ring louver.
- PROTECTION:** Weather proof and durable silicone gasket.
Service temperature -40°to +200°C.
- FASTENING:** All external screw is in 316 stainless steel with silicone grease dipping.
- CABLE ENTRY:** Protected by weather proof IP67 PG11 synthesized rubber grommet for H07RN-F cable 3G x1.0
- LAMP HOLDER:** E27 ceramic nickle-coated contact from Vossloh Schwabe - Germany / ENEC approved. For discharge/tungsten halogen lamp. T270 rating 4/250/5kV.
G24d-3 / Gx24q-4 holder in PBT phosphor bronze contact from AAG Stucchi - Italy / ENEC approved. For compact fluorescent lamp. T140 rating 2A-250V.
- CONTROL GEAR:** Magnetic ballast from Vossloh Schwabe - Germany / ENEC approved. 230V 50Hz tw130. For discharge lamp and B2 class for compact fluorescent lamps.
High frequency electronic ballast from Vossloh Schwabe - Germany / ENEC approved. 220-240V 0-50-60Hz tc70 A2 EEI class. For 4 pins compact fluorescent lamp.
Electronic superimposed ignitor with automatic switch-off feature from Vossloh Schwabe - Germany / ENEC approved. Ignition voltage 4-5kV 220-240V 50-60Hz. For ceramic/quartz discharge lamp.
Power factor correction for discharge lamp from Vossloh Schwabe - Germany or from Electronicon - Germany. ENEC approved.
- WIRING:** 1x0.75 tinned copper silicone rubber insulated cable from CET Eletric - Italy / IMQ approved. 2kV / -60°to +180°C service temperature. Double silicone insulation ignition wire. Tinned copper conductor. Impulsive voltage 5kV.
Quick connector in PA6.6 from ADELS - Germany / VDE approved. Rating 16A/250V. Service temperature up to 160°C. Tinned brass contact. Cross section 2.5mm²
Wiring provided with earth connection.
- PAINTING:** First Stage: Chromatzation treatment, resistant to corrosive and extreme environment.
Second Stage: Coated with UV stabilized polyester powder in automatic chamber.
Third Stage: Baked in digital temperature control room at 200°C for 30 minutes.

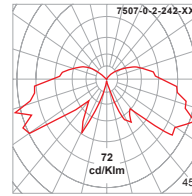
AVAILABLE COLOR:

- | | |
|------------------|--|
| Black | - RAL9005 (replace last 2 digits on ordering code with 01) |
| Graphite | - RAL7016 (replace last 2 digits on ordering code with 02) |
| Dark Grey | - RAL7037 (replace last 2 digits on ordering code with 03) |
| Aluminium Silver | - RAL9006 (replace last 2 digits on ordering code with 04) |
| White | - RAL9010 (replace last 2 digits on ordering code with 06) |

NEW ITEM



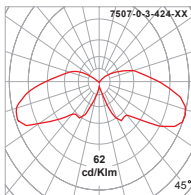
METAL HALIDE
 Ordering Code:
7507-0-3-711-XX
7508-0-3-711-XX
 HIE-CE E27
 70W (5900 lm)



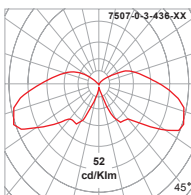
TUNGSTEN HALOGEN
 Ordering Code:
7507-0-2-242-XX
7508-0-2-242-XX
 QT32 E27
 100W (1550 lm)

HIGH PRESSURE SODIUM
 Ordering Code:
7507-0-3-611-XX
7508-0-3-611-XX
 HSE-I E27
 70W (6000 lm)

MERCURY VAPOUR
 Ordering Code:
7507-0-3-511-XX
7508-0-3-511-XX
 HME E27
 80W (4000 lm)

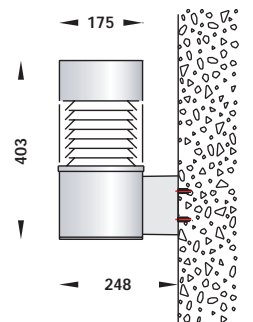
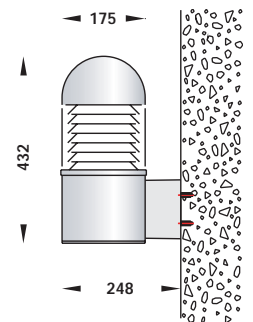


COMPACT FLUORESCENT
 Ordering code:
7507-0-3-424-XX
7508-0-3-424-XX
 TC-D G24d-3
 26W (1800 lm)



COMPACT FLUORESCENT
 Ordering code:
7507-0-3-436-XX
7508-0-3-436-XX
 TC-TEL Gx24q-4
 42W (3200 lm)

E27 COMPACT FLUORESCENT
 Ordering Code:
7507-0-2-495-XX
7508-0-2-495-XX
 TC-TSE E27
 23W (1500 lm)



OD-7511 / OD-7512

WALL BRACKET LIGHT



OD-7511



OD-7512

NEW ITEM

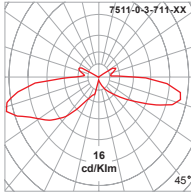
SPECIFICATION

- CONSTRUCTION:** Fixture is manufactured in compliance with IEC 60598-1 Electrical protection class 1. IP54.
- BODY:** Corrosion resistant extrusion aluminium S6063 alloy - copper<0.1% Head components, base and wall bracket in corrosion resistant high-pressure die-cast aluminium ADC12 alloy.
- OPTIC COVER:** Self-extinguishing high impact resistant clear polycarbonate diffuser. with UV stabilized additive. Material from Bayer - Germany or Teijin - Japan.
- REFLECTOR:** High purity conical anodised aluminium. Light direct downward.
- PROTECTION:** Weather proof and durable silicone gasket.
Service temperature -40°to +200°C.
- FASTENING:** All external screw is in 316 stainless steel with silicone grease dipping.
- CABLE ENTRY:** Prepare for H07RN-F cable 3G x1.0 with pull relife device.
- LAMP HOLDER:** E27 ceramic nickle-coated contact from Vossloh Schwabe - Germany / ENEC approved. For discharge/tungsten halogen lamp. T270 rating 4/250/5kV.
G24d-3 holder in PBT phosphor bronze contact from AAG Stucchi - Italy / ENEC approved. For compact fluorescent lamp. T140 rating 2A-250V.
- CONTROL GEAR:** Magnetic ballast from Vossloh Schwabe - Germany / ENEC approved. 230V 50Hz tw130. For discharge lamp and B2 class for compact fluorescent lamps.
Electronic superimposed ignitor with automatic switch-off feature from Vossloh Schwabe - Germany / ENEC approved. Ignition voltage 4-5kV 220-240V 50-60Hz. For ceramic/quartz discharge lamp.
Power factor correction for discharge lamp from Vossloh Schwabe - Germany or from Electronicon - Germany. ENEC approved.
- WIRING:** 1x0.75 tinned copper silicone rubber insulated cable from CET Elettric - Italy / IMQ approved. 2kV / -60°to +180°C service temperature. Double silicone insulation ignition wire. Tinned copper condutor. Impulsive voltage 5kV.
Quick connector in PA6.6 from ADELS - Germany / VDE approved. Rating 16A/250V. Service temperature up to 160°C. Tinned brass contact. Cross section 2.5mm².
Wiring provided with earth connection.
- PAINTING:** First Stage: Chromatzation treatment, resistant to corrosive and extreme environment.
Second Stage: Coated with UV stabilized polyester powder in automatic chamber.
Third Stage: Baked in digital temperature control room at 200°C for 30 minutes.

AVAILABLE COLOR:

- | | |
|------------------|--|
| Black | - RAL9005 (replace last 2 digits on ordering code with 01) |
| Graphite | - RAL7016 (replace last 2 digits on ordering code with 02) |
| Dark Grey | - RAL7037 (replace last 2 digits on ordering code with 03) |
| Aluminium Silver | - RAL9006 (replace last 2 digits on ordering code with 04) |
| White | - RAL9010 (replace last 2 digits on ordering code with 06) |

NEW ITEM



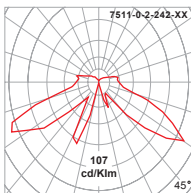
METAL HALIDE
Ordering Code:
7511-0-3-711-XX
7512-0-3-711-XX
HIE-CE E27
70W (5900 lm)

HIGH PRESSURE SODIUM
Ordering Code:
7511-0-3-611-XX
7512-0-3-611-XX
HSE-I E27
70W (6000 lm)

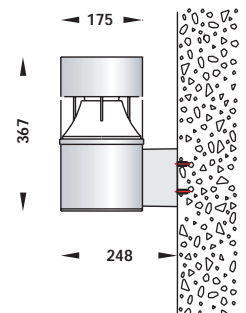
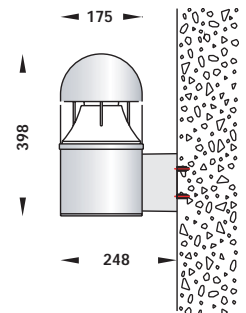
MERCURY VAPOUR
Ordering Code:
7511-0-3-511-XX
7512-0-3-511-XX
HME E27
80W (4000 lm)

COMPACT FLUORESCENT
Ordering code:
7511-0-3-424-XX
7512-0-3-424-XX
TC-D G24d-3
26W (1800 lm)

COMPACT FLUORESCENT
Ordering Code:
7511-0-2-495-XX
7512-0-2-495-XX
TC-TSE E27
23W (1500 lm)



TUNGSTEN HALOGEN
Ordering Code:
7511-0-2-242-XX
7512-0-2-242-XX
QT32 E27
100W (1550 lm)



OD-7519 / OD-7520

WALL BRACKET LIGHT



OD-7519



OD-7520

NEW ITEM

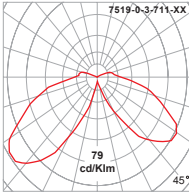
SPECIFICATION

- CONSTRUCTION:** Fixture is manufactured in compliance with IEC 60598-1 and tested by UL-Demko laboratory in Denmark. Electrical protection class 1. IP54.
- BODY:** Corrosion resistant extrusion aluminium S6063 alloy - copper<0.1% Head components, base and wall bracket in corrosion resistant high-pressure die-cast aluminium ADC12 alloy.
- OPTIC COVER:** Self-extinguishing high impact resistant clear polycarbonate diffuser. with UV stabilized additive. Material from Bayer - Germany or Teijin - Japan.
- REFLECTOR:** High purity conical and slant anodised aluminium. Light direct downward.
- PROTECTION:** Weather proof and durable silicone gasket. Service temperature -40°to +200°C.
- FASTENING:** All external screw is in 316 stainless steel with silicone grease dipping.
- CABLE ENTRY:** Protected by weather proof IP67 PG11 synthesized rubber grommet for H07RN-F cable 3G x1.0
- LAMP HOLDER:** E27 ceramic nickle-coated contact from Vossloh Schwabe - Germany / ENEC approved. For discharge/tungsten halogen lamp. T270 rating 4/250/5kV. G24d-3 holder in PBT phosphor bronze contact from AAG Stucchi - Italy / ENEC approved. For compact fluorescent lamp. T140 rating 2A-250V.
- CONTROL GEAR:** Magnetic ballast from Vossloh Schwabe - Germany / ENEC approved. 230V 50Hz tw130. For discharge lamp and B2 class for compact fluorescent lamps. Electronic superimposed ignitor with automatic switch-off feature from Vossloh Schwabe - Germany / ENEC approved. Ignition voltage 4-5kV 220-240V 50-60Hz. For ceramic/quartz discharge lamp. Power factor correction for discharge lamp from Vossloh Schwabe - Germany or from Electronicon - Germany. ENEC approved.
- WIRING:** 1x0.75 tinned copper silicone rubber insulated cable from CET Eletric - Italy / IMQ approved. 2kV / -60°to +180°C service temperature. Double silicone insulation ignition wire. Tinned copper conductor. Impulsive voltage 5kV. Quick connector in PA6.6 from ADELS - Germany / VDE approved. Rating 16A/250V. Service temperature up to 160°C. Tinned brass contact. Cross section 2.5mm². Wiring provided with earth connection.
- PAINTING:** First Stage: Chromatzation treatment, resistant to corrosive and extreme environment. Second Stage: Coated with UV stabilized polyester powder in automatic chamber. Third Stage: Baked in digital temperature control room at 200°C for 30 minutes.

AVAILABLE COLOR:

- | | |
|------------------|--|
| Black | - RAL9005 (replace last 2 digits on ordering code with 01) |
| Graphite | - RAL7016 (replace last 2 digits on ordering code with 02) |
| Dark Grey | - RAL7037 (replace last 2 digits on ordering code with 03) |
| Aluminium Silver | - RAL9006 (replace last 2 digits on ordering code with 04) |
| White | - RAL9010 (replace last 2 digits on ordering code with 06) |

NEW ITEM



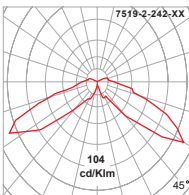
METAL HALIDE
Ordering Code:
7519-0-3-711-XX
7520-0-3-711-XX
HIE-CE E27
70W (5900 lm)

HIGH PRESSURE SODIUM
Ordering Code:
7519-0-3-611-XX
7520-0-3-611-XX
HSE-I E27
70W (6000 lm)

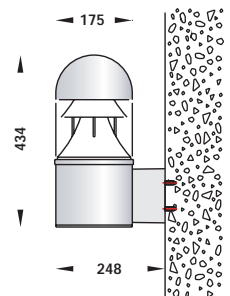
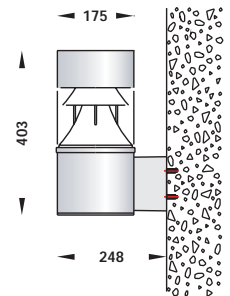
MERCURY VAPOUR
Ordering Code:
7519-0-3-511-XX
7520-0-3-511-XX
HME E27
80W (4000 lm)

COMPACT FLUORESCENT
Ordering code:
7519-0-3-424-XX
7520-0-3-424-XX
TC-D G24d-3
26W (1800 lm)

E27 COMPACT FLUORESCENT
Ordering Code:
7519-0-2-495-XX
7520-0-2-495-XX
TC-TSE E27
23W (1500 lm)



TUNGSTEN HALOGEN
Ordering Code:
7519-0-2-242-XX
7520-0-2-242-XX
QT32 E27
100W (1550 lm)



OD-7550 / OD-7551

WALL BRACKET LIGHT



OD-7550



OD-7551

NEW ITEM

SPECIFICATION

- CONSTRUCTION:** Fixture is manufactured in compliance with IEC 60598-1 Electrical protection class 1. IP54.
- BODY:** Corrosion resistant extrusion aluminium S6063 alloy - copper<0.1% Components and wall bracket in corrosion resistant high-pressure die-cast aluminium ADC12 alloy.
- OPTIC COVER:** Self-extinguishing high impact resistant opal/prismatic polycarbonate diffuser. with UV stabilized additive. Material from Bayer - Germany or Teijin - Japan.
- PROTECTION:** Weather proof and durable silicone gasket. Service temperature -40°to +200°C.
- FASTENING:** All external screw is in 316 stainless steel with silicone grease dipping.
- CABLE ENTRY:** Protected by weather proof IP67 PG11 synthesized rubber grommet for H07RN-F cable 3G x1.0
- LAMP HOLDER:** E27 ceramic nickle-coated contact from Vossloh Schwabe - Germany / ENEC approved. For discharge/tungsten halogen lamp. T270 rating 4/250/5kV. G24d-3 / Gx24q-4 holder in PBT phosphor bronze contact from AAG Stucchi - Italy / ENEC approved. For compact fluorescent lamp. T140 rating 2A-250V.
- CONTROL GEAR:** Magnetic ballast from Vossloh Schwabe - Germany / ENEC approved. 230V 50Hz tw130. For discharge lamp and B2 class for compact fluorescent lamps. High frequency electronic ballast from Vossloh Schwabe - Germany / ENEC approved. 220-240V 0-50-60Hz tc70 A2 EEI class. For 4 pins compact fluorescent lamp. Electronic superimposed ignitor with automatic switch-off feature from Vossloh Schwabe - Germany / ENEC approved. Ignition voltage 4-5kV 220-240V 50-60Hz. For ceramic/quartz discharge lamp. Power factor correction for discharge lamp from Vossloh Schwabe - Germany or from Electronicon - Germany. ENEC approved.
- WIRING:** 1x0.75 tinned copper silicone rubber insulated cable from CET Elettric - Italy / IMQ approved. 2kV / -60°to +180°C service temperature. Double silicone insulation ignition wire. Tinned copper conductor. Impulsive voltage 5kV. Quick connector in PA6.6 from ADELS - Germany / VDE approved. Rating 16A/250V. Service temperature up to 160°C. Tinned brass contact. Cross section 2.5mm². Wiring provided with earth connection.
- PAINTING:** First Stage: Chromatization treatment, resistant to corrosive and extreme environment. Second Stage: Coated with UV stabilized polyester powder in automatic chamber. Third Stage: Baked in digital temperature control room at 200°C for 30 minutes.

AVAILABLE COLOR:

- | | |
|------------------|--|
| Black | - RAL9005 (replace last 2 digits on ordering code with 01) |
| Graphite | - RAL7016 (replace last 2 digits on ordering code with 02) |
| Dark Grey | - RAL7037 (replace last 2 digits on ordering code with 03) |
| Aluminium Silver | - RAL9006 (replace last 2 digits on ordering code with 04) |
| White | - RAL9010 (replace last 2 digits on ordering code with 06) |

NEW ITEM

METAL HALIDE

Ordering Code:
7550-0-3-711-XX
7551-0-3-711-XX
HIE-CE E27
70W (5900 lm)

HIGH PRESSURE SODIUM

Ordering Code:
7550-0-3-611-XX
7551-0-3-611-XX
HSE-I E27
70W (6000 lm)

MERCURY VAPOUR

Ordering Code:
7550-0-3-511-XX
7551-0-3-511-XX
HME E27
80W (4000 lm)

COMPACT FLUORESCENT

Ordering code:
7550-0-3-424-XX
7551-0-3-424-XX
TC-D G24d-3
26W (1800 lm)

COMPACT FLUORESCENT

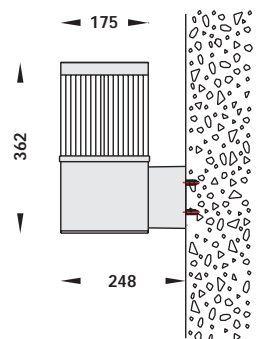
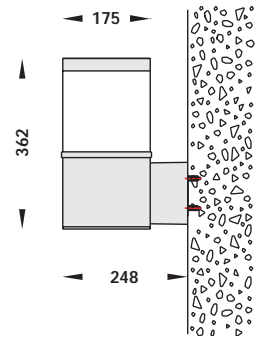
Ordering code:
7550-0-3-436-XX
7551-0-3-436-XX
TC-TEL Gx24q-4
42W (3200 lm)

E27 COMPACT FLUORESCENT

Ordering code:
7550-0-2-495-XX
7551-0-2-495-XX
TC-TSE E27
23W (1500 lm)

TUNGSTEN HALOGEN

Ordering Code:
7550-0-2-242-XX
7551-0-2-242-XX
QT32 E27
100W (1550 lm)



OD-7509

WALL BRACKET LIGHT



NEW ITEM

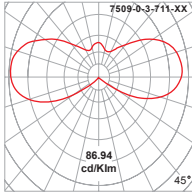
SPECIFICATION

CONSTRUCTION:	Fixture is manufactured in compliance with IEC 60598-1 and tested by UL-Demko laboratory in Denmark. Electrical protection class 1. IP54.
BODY:	Corrosion resistant extrusion aluminium S6063 alloy - copper<0.1% Head components, base and wall bracket in corrosion resistant high-pressure die-cast aluminium ADC12 alloy.
OPTIC COVER:	Self-extinguishing high impact resistant opal polycarbonate diffuser. with UV stabilized additive. Material from Bayer - Germany or Teijin - Japan.
PROTECTION:	Weather proof and durable silicone gasket. Service temperature -40°to +200°C.
FASTENING:	All external screw is in 316 stainless steel with silicone grease dipping.
CABLE ENTRY:	Protected by weather proof IP67 PG11 synthesized rubber grommet for H07RN-F cable 3G x1.0
LAMP HOLDER:	E27 ceramic nickle-coated contact from Vossloh Schwabe - Germany / ENEC approved. For discharge/tungsten halogen lamp. T270 rating 4/250/5kV. G24d-3 holder in PBT phosphor bronze contact from AAG Stucchi - Italy / ENEC approved. For compact fluorescent lamp. T140 rating 2A-250V.
CONTROL GEAR:	Magnetic ballast from Vossloh Schwabe - Germany / ENEC approved. 230V 50Hz tw130. For discharge lamp and B2 class for compact fluorescent lamps. Electronic superimposed ignitor with automatic switch-off feature from Vossloh Schwabe - Germany / ENEC approved. Ignition voltage 4-5kV 220-240V 50-60Hz. For ceramic/quartz discharge lamp. Power factor correction for discharge lamp from Vossloh Schwabe - Germany or from Electronicon - Germany. ENEC approved.
WIRING:	1x0.75 tinned copper silicone rubber insulated cable from CET Eletric - Italy / IMQ approved. 2kV / -60°to +180°C service temperature. Double silicone insulation ignition wire. Tinned copper conductor. Impulsive voltage 5kV. Quick connector in PA6.6 from ADELS - Germany / VDE approved. Rating 16A/250V. Service temperature up to 160°C. Tinned brass contact. Cross section 2.5mm². Wiring provided with earth connection.
PAINTING:	First Stage: Chromatization treatment, resistant to corrosive and extreme environment. Second Stage: Coated with UV stabilized polyester powder in automatic chamber. Third Stage: Baked in digital temperature control room at 200°C for 30 minutes.

AVAILABLE COLOR:

Black	- RAL9005 (replace last 2 digits on ordering code with 01)
Graphite	- RAL7016 (replace last 2 digits on ordering code with 02)
Dark Grey	- RAL7037 (replace last 2 digits on ordering code with 03)
Aluminium Silver	- RAL9006 (replace last 2 digits on ordering code with 04)
White	- RAL9010 (replace last 2 digits on ordering code with 06)

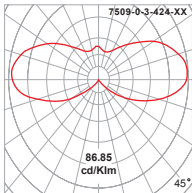
NEW ITEM



METAL HALIDE
Ordering Code:
7509-0-3-711-XX
HIE-CE E27
70W (5900 lm)

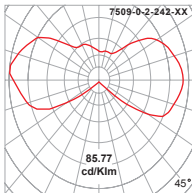
HIGH PRESSURE SODIUM
Ordering Code:
7509-0-3-611-XX
HSE-I E27
70W (6000 lm)

MERCURY VAPOUR
Ordering Code:
7509-0-3-511-XX
HME E27
80W (4000 lm)

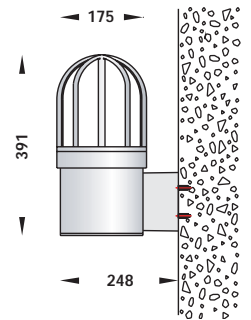


COMPACT FLUORESCENT
Ordering code:
7509-0-3-424-XX
TC-D G24d-3
26W (1800 lm)

E27 COMPACT FLUORESCENT
Ordering code:
7509-0-2-495-XX
TC-TSE E27
23W (1500 lm)



TUNGSTEN HALOGEN
Ordering Code:
7509-0-2-242-XX
QT32 E27
100W (1550 lm)



OD-7521

WALL BRACKET LIGHT



NEW ITEM

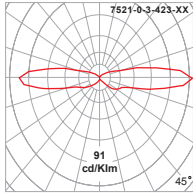
SPECIFICATION

CONSTRUCTION:	Fixture is manufactured in compliance with IEC 60598-1 Electrical protection class 1. IP54.
BODY:	Corrosion resistant extrusion aluminium S6063 alloy - copper<0.1% Head components, base and wall bracket in corrosion resistant high-pressure die-cast aluminium ADC12 alloy.
OPTIC COVER:	Self-extinguishing high impact resistant clear polycarbonate diffuser. with UV stabilized additive. Material from Bayer - Germany or Teijin - Japan.
LOUVER:	Multi-layer anti glare aluminium sheet with powder coating.
FASTENING:	All external screw is in 316 stainless steel with silicone grease dipping.
CABLE ENTRY:	Protected by weather proof IP67 PG11 synthesized rubber grommet for H07RN-F cable 3G x1.0
LAMP HOLDER:	E27 ceramic nickle-coated contact from Vossloh Schwabe - Germany / ENEC approved. For tungsten halogen lamp. T270 rating 4/250/5kV. G24d-2 holder in PBT phosphor bronze contact from AAG Stucchi - Italy / ENEC approved. For compact fluorescent lamp. T140 rating 2A-250V.
CONTROL GEAR:	Magnetic ballast from Vossloh Schwabe - Germany / ENEC approved. 230V 50Hz tw130. EEI B2 class for compact fluorescent lamps.
WIRING:	1x0.75 tinned copper silicone rubber insulated cable from CET Eletric - Italy / IMQ approved. 2kV / -60°to +180°C service temperature. Connector in PA6.6 nickle-plated brass insert. 600V/24A. -40°to +130°C service temperature. Cross section 4mm ² VDE approved. Wiring provided with earth connection.
PAINTING:	First Stage: Chromatization treatment, resistant to corrosive and extreme environment. Second Stage: Coated with UV stabilized polyester powder in automatic chamber. Third Stage: Baked in digital temperature control room at 200°C for 30 minutes.

AVAILABLE COLOR:

Black	- RAL9005 (replace last 2 digits on ordering code with 01)
Graphite	- RAL7016 (replace last 2 digits on ordering code with 02)
Dark Grey	- RAL7037 (replace last 2 digits on ordering code with 03)
Aluminium Silver	- RAL9006 (replace last 2 digits on ordering code with 04)
White	- RAL9010 (replace last 2 digits on ordering code with 06)

NEW ITEM



COMPACT FLUORESCENT

Ordering code:

7521-0-3-423-XX

TC-D G24d-2

18W (1200 lm)

E27 COMPACT FLUORESCENT

Ordering code:

7521-0-2-493-XX

TC-TSE E27

15W (900 lm)

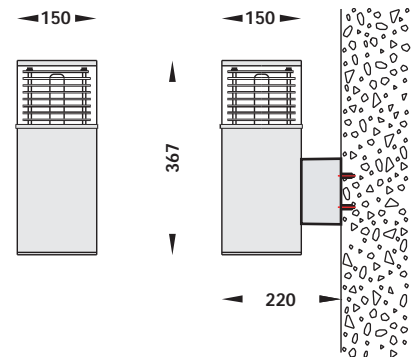
TUNGSTEN HALOGEN

Ordering Code:

7521-0-2-241-XX

QT32 E27

60W (840 lm)



OD-7522

WALL BRACKET LIGHT



NEW ITEM

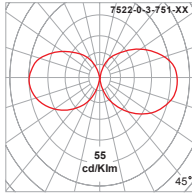
SPECIFICATION

CONSTRUCTION:	Fixture is manufactured in compliance with IEC 60598-1 Electrical protection class 1. IP54.
BODY:	Corrosion resistant extrusion aluminium S6063 alloy - copper<0.1% Head components, base and wall bracket in corrosion resistant high-pressure die-cast aluminium ADC12 alloy.
OPTIC COVER:	Self-extinguishing high impact resistant opal polycarbonate diffuser. with UV stabilized additive. Material from Bayer - Germany or Teijin - Japan.
FASTENING:	All external screw is in 316 stainless steel with silicone grease dipping.
CABLE ENTRY:	Protected by weather proof IP67 PG11 synthesized rubber grommet for H07RN-F cable 3G x1.0
LAMP HOLDER:	E27 ceramic nickle-coated contact from Vossloh Schwabe - Germany / ENEC approved. For tungsten halogen lamp. T270 rating 4/250/5kV. G24d-2 / Gx24d-3 holder in PBT phosphor bronze contact from AAG Stucchi - Italy / ENEC approved. For compact fluorescent lamp. T140 rating 2A- 250V.
CONTROL GEAR:	Magnetic ballast from Vossloh Schwabe - Germany / ENEC approved. 230V 50Hz tw130. For discharge lamp and B2 class for compact fluorescent lamps. Electronic superimposed ignitor with automatic switch-off feature from Vossloh Schwabe - Germany / ENEC approved. Ignition voltage 4-5kV 220-240V 50-60Hz. For ceramic/quartz discharge lamp. Power factor correction for discharge lamp from Vossloh Schwabe - Germany or from Electronicon - Germany. ENEC approved.
WIRING:	1x0.75 tinned copper silicone rubber insulated cable from CET Eletic - Italy / IMQ approved. 2kV / -60°to +180°C service temperature. Double silicone insulation ignition wire. Tinned copper condutor. Impulsive voltage 5kV. Quick connector in PA6.6 from ADELS - Germany / VDE approved. Rating 16A/250V. Service temperature up to 160°C. Tinned brass contact. Cross section 2.5mm ² Wiring provided with earth connection.
PAINTING:	First Stage: Chromatization treatment, resistant to corrosive and extreme environment. Second Stage: Coated with UV stabilized polyester powder in automatic chamber. Third Stage: Baked in digital temperature control room at 200°C for 30 minutes.

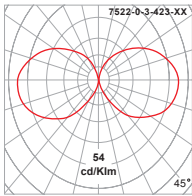
AVAILABLE COLOR:

Black	- RAL9005 (replace last 2 digits on ordering code with 01)
Graphite	- RAL7016 (replace last 2 digits on ordering code with 02)
Dark Grey	- RAL7037 (replace last 2 digits on ordering code with 03)
Aluminium Silver	- RAL9006 (replace last 2 digits on ordering code with 04)
White	- RAL9010 (replace last 2 digits on ordering code with 06)

NEW ITEM



METAL HALIDE
Ordering code:
7522-0-3-751-XX
HIT-CE G12
35W (3300 lm)

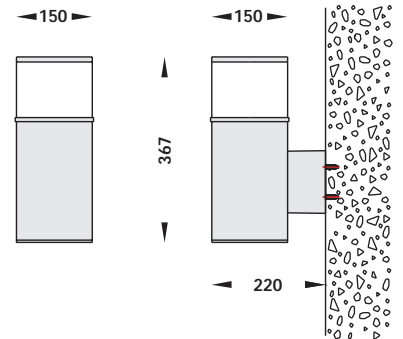


COMPACT FLUORESCENT
Ordering code:
7522-0-3-423-XX
TC-D G24d-2
18W (1200 lm)

COMPACT FLUORESCENT
Ordering code:
7522-0-3-444-XX
TC-T Gx24d-3
26W (1800 lm)

E27 COMPACT FLUORESCENT
Ordering code:
7522-0-2-493-XX
TC-TSE E27
15W (900 lm)

TUNGSTEN HALOGEN
Ordering Code:
7522-0-2-241-XX
QT32 E27
60W (840 lm)



OD-7536 / OD-7537

WALL BRACKET LIGHT



OD-7536



OD-7537

NEW ITEM

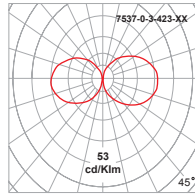
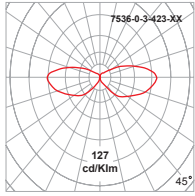
SPECIFICATION

CONSTRUCTION:	Fixture is manufactured in compliance with IEC 60598-1 Electrical protection class 1. IP54.
BODY:	Corrosion resistant extrusion aluminium S6063 alloy - copper<0.1% Head components, base and wall bracket in corrosion resistant high-pressure die-cast aluminium ADC12 alloy.
OPTIC COVER:	Self-extinguishing high impact resistant prismatic/opal polycarbonate diffuser. with UV stabilized additive. Material from Bayer - Germany or Teijin - Japan.
PROTECTION:	Weather proof and durable silicone gasket. Service temperature -40°to +200°C.
FASTENING:	All external screw is in 316 stainless steel with silicone grease dipping.
CABLE ENTRY:	Protected by weather proof IP67 PG11 synthesized rubber grommet for H07RN-F cable 3G x1.0
LAMP HOLDER:	E27 ceramic nickel-coated contact from Vossloh Schwabe - Germany / ENEC approved. For tungsten halogen lamp. T270 rating 4/250/5kV. G24d-2 holder in PBT phosphor bronze contact from AAG Stucchi - Italy / ENEC approved. For compact fluorescent lamp. T140 rating 2A-250V.
CONTROL GEAR:	Magnetic ballast from Vossloh Schwabe - Germany / ENEC approved. 230V 50Hz tw130. EEI B2 Class. For compact fluorescent lamps. High frequency electronic ballast from Vossloh Schwabe - Germany / ENEC approved. 220-240V 0-50-60Hz tc70 A2 EEI class. For 4 pins compact fluorescent lamp.
WIRING:	1x0.75 tinned copper silicone rubber insulated cable from CET Electric - Italy / IMQ approved. 2kV / -60°to +180°C service temperature. Quick connector in PA6.6 from ADELS - Germany / VDE approved. Rating 16A/250V. Service temperature up to 160°C. Tinned brass contact. Cross section 2.5mm ² Wiring provided with earth connection.
PAINTING:	First Stage: Chromatization treatment, resistant to corrosive and extreme environment. Second Stage: Coated with UV stabilized polyester powder in automatic chamber. Third Stage: Baked in digital temperature control room at 200°C for 30 minutes.

AVAILABLE COLOR:

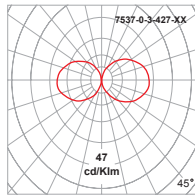
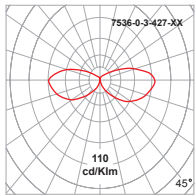
Black	- RAL9005 (replace last 2 digits on ordering code with 01)
Graphite	- RAL7016 (replace last 2 digits on ordering code with 02)
Dark Grey	- RAL7037 (replace last 2 digits on ordering code with 03)
Aluminium Silver	- RAL9006 (replace last 2 digits on ordering code with 04)
White	- RAL9010 (replace last 2 digits on ordering code with 06)

NEW ITEM



COMPACT FLUORESCENT

Ordering Code:
7536-0-3-423-XX
7537-0-3-423-XX
 TC-D G24d-2
 18W (1200 lm)

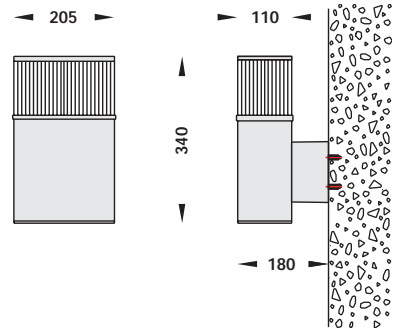


COMPACT FLUORESCENT

Ordering Code:
7536-0-3-427-XX
7537-0-3-427-XX
 TC-D G24d-2
 2x18W (2x1200 lm)

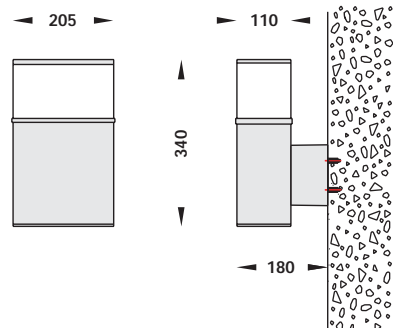
E27 COMPACT FLUORESCENT

Ordering Code:
7536-0-2-495-XX
7537-0-2-495-XX
 TC-TSE E27
 23W (1500 lm)



TUNGSTEN HALOGEN

Ordering Code:
7536-0-2-241-XX
7537-0-2-241-XX
 QT32 E27
 60W (840 lm)



OD-7601

WALL BRACKET LIGHT



NEW FOR 2006

THIS IS PROVISION DATA ONLY.
ACTUAL DIMENSION AND LOOK
MAY DIFFER FROM THIS.

SPECIFICATION

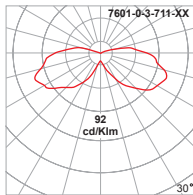
- CONSTRUCTION:** Fixture is manufactured in compliance with IEC 60598-1 and tested by UL-Demko laboratory in Denmark. Electrical protection class 1. IP54
- BODY:** Head components in corrosion resistant high-pressure die-cast aluminium ADC12 alloy. Corrosion resistant extrusion aluminium S6063 alloy supporting arm.
- OPTIC COVER:** Self-extinguishing high impact resistant clear+prismatic polycarbonate diffuser. with UV stabilized additive. Material from Bayer - Germany or Teijin - Japan.
- REFLECTOR:** Corrosion resistant powder coated aluminium plate.
- GLARE SHIELD:** High purity anodised slanted aluminium ring louver.
- PROTECTION:** Weather proof and durable silicone gasket.
Service temperature -40°to +200°C.
- FASTENING:** All external screw is in 316 stainless steel with silicone grease dipping.
- CABLE ENTRY:** Protected by weather proof IP67 PG11 synthesized rubber grommet for H07RN-F cable 3G x1.0
- LAMP HOLDER:** E27 ceramic nickle-coated contact from Vossloh Schwabe - Germany / ENEC approved. For discharge/tungsten halogen lamp. T270 rating 4/250/5kV.
Gx24q-4 holder in PBT phosphor bronze contact from AAG Stucchi - Italy / ENEC approved. For compact fluorescent lamp. T140 rating 2A-250V.
- CONTROL GEAR:** Magnetic ballast from Vossloh Schwabe - Germany / ENEC approved. 230V 50Hz tw130. For discharge lamp.
High frequency electronic ballast from Vossloh Schwabe - Germany / ENEC approved. 220-240V 0-50-60Hz tc70 A2 EEI class. For 4 pins compact fluorescent lamp.
Electronic superimposed ignitor with automatic switch-off feature from Vossloh Schwabe - Germany / ENEC approved.
Ignition voltage 4-5kV 220-240V 50-60Hz. For ceramic/quartz discharge lamp.
Power factor correction for discharge lamp from Vossloh Schwabe - Germany or from Electronicon - Germany. ENEC approved.
- WIRING:** 1x0.75 tinned copper silicone rubber insulated cable from CET Eletric - Italy / IMQ approved. 2kV / -60°to +180°C service temperature. Double silicone insulation ignition wire. Tinned copper conductor. Impulsive voltage 5kV.
Quick connector in PA6.6 from ADELS - Germany / VDE approved. Rating 16A/250V. Service temperature up to 160°C. Tinned brass contact. Cross section 2.5mm²
Wiring provided with earth connection.
- PAINTING:** First Stage: Chromatization treatment, resistant to corrosive and extreme environment.
Second Stage: Coated with UV stabilized polyester powder in automatic chamber.
Third Stage: Baked in digital temperature control room at 200°C for 30 minutes.

AVAILABLE COLOR:

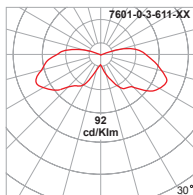
- | | |
|------------------|--|
| Black | - RAL9005 (replace last 2 digits on ordering code with 01) |
| Graphite | - RAL7016 (replace last 2 digits on ordering code with 02) |
| Dark Grey | - RAL7037 (replace last 2 digits on ordering code with 03) |
| Aluminium Silver | - RAL9006 (replace last 2 digits on ordering code with 04) |
| White | - RAL9010 (replace last 2 digits on ordering code with 06) |

NEW FOR 2006

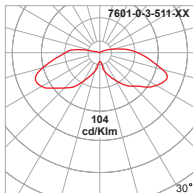
THIS IS PROVISION DATA ONLY.
ACTUAL DIMENSION AND LOOK
MAY DIFFER FROM THIS.



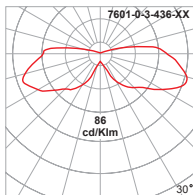
METAL HALIDE
Ordering Code:
7601-0-3-711-XX
HIE-CE E27
70W (5900 lm)



HIGH PRESSURE SODIUM
Ordering Code:
7601-0-3-611-XX
HSE-I E27
70W (6000 lm)

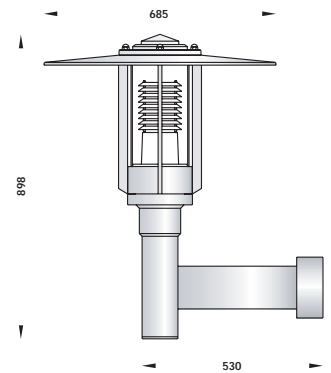


MERCURY VAPOUR
Ordering Code:
7601-0-3-511-XX
HME E27
80W (4000 lm)



COMPACT FLUORESCENT
Ordering code:
7601-0-3-436-XX
TC-TEL Gx24q-4
42W (3200 lm)

E27 COMPACT FLUORESCENT
Ordering code:
7601-0-2-495-XX
TC-TSE E27
23W (1500 lm)



OD-7602, OD-7614

WALL BRACKET LIGHT



OD-7602



OD-7614

NEW FOR 2006

THIS IS PROVISION DATA ONLY.
ACTUAL DIMENSION AND LOOK
MAY DIFFER FROM THIS.

SPECIFICATION

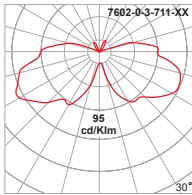
CONSTRUCTION:	Fixture is manufactured in compliance with IEC 60598-1 Electrical protection class 1. IP54
BODY:	Head components in corrosion resistant high-pressure die-cast aluminium ADC12 alloy. Corrosion resistant extrusion aluminium S6063 alloy supporting arm.
OPTIC COVER:	Weather proof and High heat resistant PMMA clear/opal diffuser tube from Italy. High mechanical strength, surface hardness and abrasive resistant.
REFLECTOR:	Corrosion resistant powder coated aluminium plate.
GLARE SHIELD:	High purity anodised slanted aluminium ring louver (for OD-7602).
PROTECTION:	Weather proof and durable silicone gasket. Service temperature -40° to $+200^{\circ}$ C.
FASTENING:	All external screw is in 316 stainless steel with silicone grease dipping.
CABLE ENTRY:	Protected by weather proof IP67 PG11 synthesized rubber grommet for H07RN-F cable 3G x1.0
LAMP HOLDER:	E27 ceramic nickle-coated contact from Vossloh Schwabe - Germany / ENEC approved. For discharge/tungsten halogen lamp. T270 rating 4/250/5kV. Gx24q-4 holder in PBT phosphor bronze contact from AAG Stucchi - Italy / ENEC approved. For compact fluorescent lamp. T140 rating 2A-250V.
CONTROL GEAR:	Magnetic ballast from Vossloh Schwabe - Germany / ENEC approved. 230V 50Hz tw130. For discharge lamp. High frequency electronic ballast from Vossloh Schwabe - Germany / ENEC approved. 220-240V 0-50-60Hz tc70 A2 EEI class. For 4 pins compact fluorescent lamp. Electronic superimposed ignitor with automatic switch-off feature from Vossloh Schwabe - Germany / ENEC approved. Ignition voltage 4-5kV 220-240V 50-60Hz. For ceramic/quartz discharge lamp. Power factor correction for discharge lamp from Vossloh Schwabe - Germany or from Electronicon - Germany. ENEC approved.
WIRING:	1x0.75 tinned copper silicone rubber insulated cable from CET Eletric - Italy / IMQ approved. 2kV / -60° to $+180^{\circ}$ C service temperature. Double silicone insulation ignition wire. Tinned copper conductor. Impulsive voltage 5kV. Quick connector in PA6.6 from ADELS - Germany / VDE approved. Rating 16A/250V. Service temperature up to 160° C. Tinned brass contact. Cross section 2.5mm^2 . Wiring provided with earth connection.
PAINTING:	First Stage: Chromatzation treatment, resistant to corrosive and extreme environment. Second Stage: Coated with UV stabilized polyester powder in automatic chamber. Third Stage: Baked in digital temperature control room at 200° C for 30 minutes.

AVAILABLE COLOR:

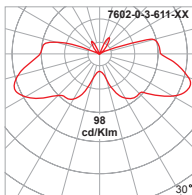
Black	- RAL9005 (replace last 2 digits on ordering code with 01)
Graphite	- RAL7016 (replace last 2 digits on ordering code with 02)
Dark Grey	- RAL7037 (replace last 2 digits on ordering code with 03)
Aluminium Silver	- RAL9006 (replace last 2 digits on ordering code with 04)
White	- RAL9010 (replace last 2 digits on ordering code with 06)

NEW FOR 2006

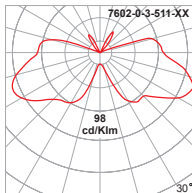
THIS IS PROVISION DATA ONLY.
ACTUAL DIMENSION AND LOOK
MAY DIFFER FROM THIS.



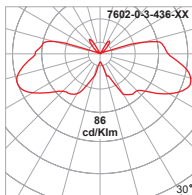
METAL HALIDE
Ordering Code:
7602-0-3-711-XX
7614-0-3-711-XX
HIE-CE E27
70W (5900 lm)



HIGH PRESSURE SODIUM
Ordering Code:
7602-0-3-611-XX
7614-0-3-611-XX
HSE-I E27
70W (6000 lm)

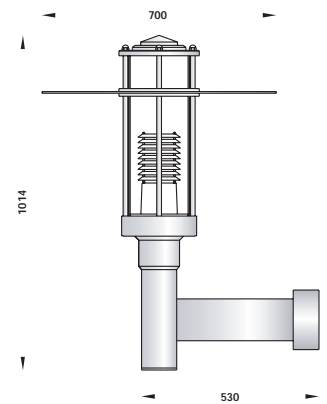


MERCURY VAPOUR
Ordering Code:
7602-0-3-511-XX
7614-0-3-511-XX
HME E27
80W (4000 lm)



COMPACT FLUORESCENT
Ordering code:
7602-0-3-436-XX
7614-0-3-436-XX
TC-TEL Gx24q-4
42W (3200 lm)

E27 COMPACT FLUORESCENT
Ordering code:
7602-0-2-495-XX
7614-0-2-495-XX
TC-TSE E27
23W (1500 lm)



OD-7603

WALL BRACKET LIGHT



NEW FOR 2006

THIS IS PROVISION DATA ONLY.
ACTUAL DIMENSION AND LOOK
MAY DIFFER FROM THIS.

SPECIFICATION

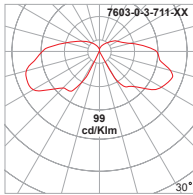
CONSTRUCTION:	Fixture is manufactured in compliance with IEC 60598-1 Electrical protection class 1. IP54
BODY:	Head components in corrosion resistant cast and spun aluminium. Corrosion resistant extrusion aluminium S6063 alloy supporting arm.
OPTIC COVER:	UV stabilized high heat resistant clear+prismatic PMMA diffuser Material from Mitsubishi - Japan.
REFLECTOR:	High purity anodised aluminium plate at top.
GLARE SHIELD:	Sandblast anodised slanted aluminium ring louver.
FASTENING:	All external screw is in 316 stainless steel with silicone grease dipping.
CABLE ENTRY:	Protected by weather proof IP67 PG11 synthesized rubber grommet for H07RN-F cable 3G x1.0
LAMP HOLDER:	E27 ceramic nickle-coated contact from Vossloh Schwabe - Germany / ENEC approved. For discharge/tungsten halogen lamp. T270 rating 4/250/5kV. Gx24q-4 holder in PBT phosphor bronze contact from AAG Stucchi - Italy / ENEC approved. For compact fluorescent lamp. T140 rating 2A-250V.
CONTROL GEAR:	Magnetic ballast from Vossloh Schwabe - Germany / ENEC approved. 230V 50Hz tw130. For discharge lamp. High frequency electronic ballast from Vossloh Schwabe - Germany / ENEC approved. 220-240V 0-50-60Hz tc70 A2 EEI class. For 4 pins compact fluorescent lamp. Electronic superimposed ignitor with automatic switch-off feature from Vossloh Schwabe - Germany / ENEC approved. Ignition voltage 4-5kV 220-240V 50-60Hz. For ceramic/quartz discharge lamp. Power factor correction for discharge lamp from Vossloh Schwabe - Germany or from Electronicon - Germany. ENEC approved.
WIRING:	1x0.75 tinned copper silicone rubber insulated cable from CET Eletric - Italy / IMQ approved. 2kV / -60° to +180°C service temperature. Double silicone insulation ignition wire. Tinned copper conductor. Impulsive voltage 5kV. Quick connector in PA6.6 from ADELS - Germany / VDE approved. Rating 16A/250V. Service temperature up to 160°C. Tinned brass contact. Cross section 2.5mm ² . Wiring provided with earth connection.
PAINTING:	First Stage: Chromatization treatment, resistant to corrosive and extreme environment. Second Stage: Coated with UV stabilized polyester powder in automatic chamber. Third Stage: Baked in digital temperature control room at 200°C for 30 minutes.

AVAILABLE COLOR:

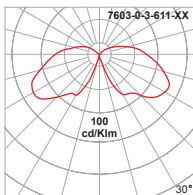
Black	- RAL9005 (replace last 2 digits on ordering code with 01)
Graphite	- RAL7016 (replace last 2 digits on ordering code with 02)
Dark Grey	- RAL7037 (replace last 2 digits on ordering code with 03)
Aluminium Silver	- RAL9006 (replace last 2 digits on ordering code with 04)
White	- RAL9010 (replace last 2 digits on ordering code with 06)

NEW FOR 2006

THIS IS PROVISION DATA ONLY.
ACTUAL DIMENSION AND LOOK
MAY DIFFER FROM THIS.

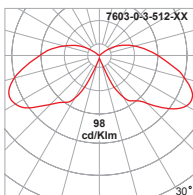


METAL HALIDE
Ordering Code:
7603-0-3-711-XX
HIE-CE E27
70W (5900 lm)

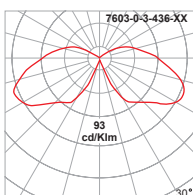


HIGH PRESSURE SODIUM
Ordering Code:
7603-0-3-611-XX
HSE-I E27
70W (6000 lm)

MERCURY VAPOUR
Ordering Code:
7603-0-3-511-XX
HME E27
80W (4000 lm)

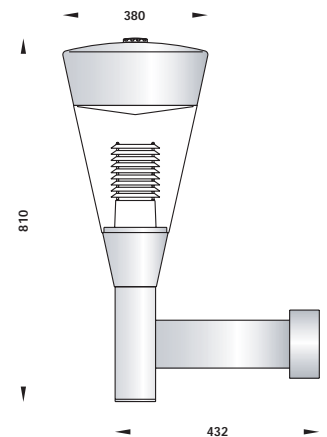


MERCURY VAPOUR
Ordering Code:
7603-0-3-512-XX
HME E27
125W (6500 lm)



COMPACT FLUORESCENT
Ordering code:
7603-0-3-436-XX
TC-TEL Gx24q-4
42W (3200 lm)

E27 COMPACT FLUORESCENT
Ordering code:
7603-0-2-495-XX
TC-TSE E27
23W (1500 lm)



OD-7604

WALL BRACKET LIGHT



NEW FOR 2006

THIS IS PROVISION DATA ONLY.
ACTUAL DIMENSION AND LOOK
MAY DIFFER FROM THIS.

SPECIFICATION

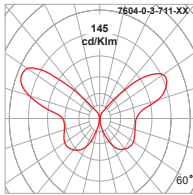
CONSTRUCTION:	Fixture is manufactured in compliance with IEC 60598-1 Electrical protection class 1. IP54
BODY:	Head components in corrosion resistant cast and spun aluminium. Corrosion resistant extrusion aluminium S6063 alloy supporting arm.
OPTIC COVER:	UV stabilized high heat resistant clear+prismatic PMMA diffuser Material from Mitsubishi - Japan.
REFLECTOR:	High purity anodised aluminium plate at top.
GLARE SHIELD:	Blown opal glass for glare suppression.
FASTENING:	All external screw is in 316 stainless steel with silicone grease dipping.
CABLE ENTRY:	Prepare for H07RN-F cable 3G x1.0 with pull relife device.
LAMP HOLDER:	E27 ceramic nickle-coated contact from Vossloh Schwabe - Germany / ENEC approved. For discharge/tungsten halogen lamp. T270 rating 4/250/5kV. Gx24q-4 holder in PBT phosphor bronze contact from AAG Stucchi - Italy / ENEC approved. For compact fluorescent lamp. T140 rating 2A-250V.
CONTROL GEAR:	Magnetic ballast from Vossloh Schwabe - Germany / ENEC approved. 230V 50Hz tw130. For discharge lamp. High frequency electronic ballast from Vossloh Schwabe - Germany / ENEC approved. 220-240V 0-50-60Hz tc70 A2 EEL class. For 4 pins compact fluorescent lamp. Electronic superimposed ignitor with automatic switch-off feature from Vossloh Schwabe - Germany / ENEC approved. Ignition voltage 4-5kV 220-240V 50-60Hz. For ceramic/quartz discharge lamp. Power factor correction for discharge lamp from Vossloh Schwabe - Germany or from Electronicon - Germany. ENEC approved.
WIRING:	1x0.75 tinned copper silicone rubber insulated cable from CET Electric - Italy / IMQ approved. 2kV / -60°to +180°C service temperature. Double silicone insulation ignition wire. Tinned copper condutor. Impulsive voltage 5kV. Quick connector in PA6.6 from ADELS - Germany / VDE approved. Rating 16A/250V. Service temperature up to 160°C. Tinned brass contact. Cross section 2.5mm ² . Wiring provided with earth connection.
PAINTING:	First Stage: Chromatzation treatment, resistant to corrosive and extreme environment. Second Stage: Coated with UV stabilized polyester powder in automatic chamber. Third Stage: Baked in digital temperature control room at 200°C for 30 minutes.

AVAILABLE COLOR:

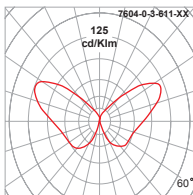
Black	- RAL9005 (replace last 2 digits on ordering code with 01)
Graphite	- RAL7016 (replace last 2 digits on ordering code with 02)
Dark Grey	- RAL7037 (replace last 2 digits on ordering code with 03)
Aluminium Silver	- RAL9006 (replace last 2 digits on ordering code with 04)
White	- RAL9010 (replace last 2 digits on ordering code with 06)

NEW FOR 2006

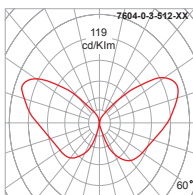
THIS IS PROVISION DATA ONLY.
ACTUAL DIMENSION AND LOOK
MAY DIFFER FROM THIS.



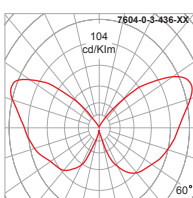
METAL HALIDE
Ordering Code:
7604-0-3-711-XX
HIE-CE E27
70W (5900 lm)



HIGH PRESSURE SODIUM
Ordering Code:
7604-0-3-611-XX
HSE-I E27
70W (6000 lm)



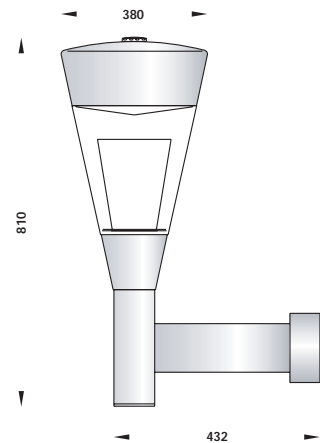
MERCURY VAPOUR
Ordering Code:
7604-0-3-511-XX
HME E27
80W (4000 lm)



MERCURY VAPOUR
Ordering Code:
7604-0-3-512-XX
HME E27
125W (6500 lm)

COMPACT FLUORESCENT
Ordering code:
7604-0-3-436-XX
TC-TEL Gx24q-4
42W (3200 lm)

E27 COMPACT FLUORESCENT
Ordering code:
7604-0-2-495-XX
TC-TSE E27
23W (1500 lm)



OD-7611

WALL BRACKET LIGHT



NEW FOR 2006

THIS IS PROVISION DATA ONLY.
ACTUAL DIMENSION AND LOOK
MAY DIFFER FROM THIS.

SPECIFICATION

CONSTRUCTION:	Fixture is manufactured in compliance with IEC 60598-1 Electrical protection class 1. IP54
BODY:	Head components in corrosion resistant cast and spun aluminium. Corrosion resistant extrusion aluminium S6063 alloy supporting arm.
OPTIC COVER:	UV stabilized high heat resistant clear+prismatic PMMA diffuser Material from Mitsubishi - Japan.
REFLECTOR:	High purity anodised cone-shaped aluminium reflector.
FASTENING:	All external screw is in 316 stainless steel with silicone grease dipping.
CABLE ENTRY:	Protected by weather proof IP67 PG11 synthesized rubber grommet for H07RN-F cable 3G x1.0
LAMP HOLDER:	E27 ceramic nickle-coated contact from Vossloh Schwabe - Germany / ENEC approved. For discharge/tungsten halogen lamp. T270 rating 4/250/5kV. G12 holder in ceramic nickle-coated contact from Vossloh Schwabe - Germany / ENEC approved. For discharge lamp. T270 rating 4/250/5kV.
CONTROL GEAR:	Magnetic ballast from Vossloh Schwabe - Germany / ENEC approved. 230V 50Hz tw130. For discharge lamp. Electronic superimposed ignitor with automatic switch-off feature from Vossloh Schwabe - Germany / ENEC approved. Ignition voltage 4-5kV 220-240V 50-60Hz. For ceramic/quartz discharge lamp. Power factor correction for discharge lamp from Vossloh Schwabe - Germany or from Electronicon - Germany. ENEC approved.
WIRING:	1x0.75 tinned copper silicone rubber insulated cable from CET Elettric - Italy / IMQ approved. 2kV / -60°to +180°C service temperature. Double silicone insulation ignition wire. Tinned copper conductor. Impulsive voltage 5kV. Quick connector in PA6.6 from ADELS - Germany / VDE approved. Rating 16A/250V. Service temperature up to 160°C. Tinned brass contact. Cross section 2.5mm ² . Wiring provided with earth connection.
PAINTING:	First Stage: Chromatization treatment, resistant to corrosive and extreme environment. Second Stage: Coated with UV stabilized polyester powder in automatic chamber. Third Stage: Baked in digital temperature control room at 200°C for 30 minutes.

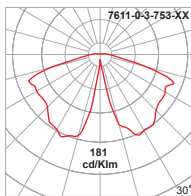
AVAILABLE COLOR:

Black	- RAL9005 (replace last 2 digits on ordering code with 01)
Graphite	- RAL7016 (replace last 2 digits on ordering code with 02)
Dark Grey	- RAL7037 (replace last 2 digits on ordering code with 03)
Aluminium Silver	- RAL9006 (replace last 2 digits on ordering code with 04)
White	- RAL9010 (replace last 2 digits on ordering code with 06)

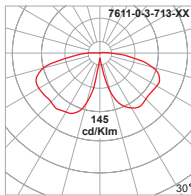
NEW FOR 2006

THIS IS PROVISION DATA ONLY.
ACTUAL DIMENSION AND LOOK
MAY DIFFER FROM THIS.

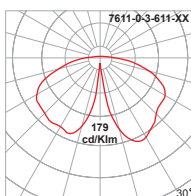
METAL HALIDE
Ordering Code:
7611-0-3-752-XX
HIT-CE G12
70W (6600 lm)



METAL HALIDE
Ordering Code:
7611-0-3-753-XX
HIT-CE G12
150W (14500 lm)

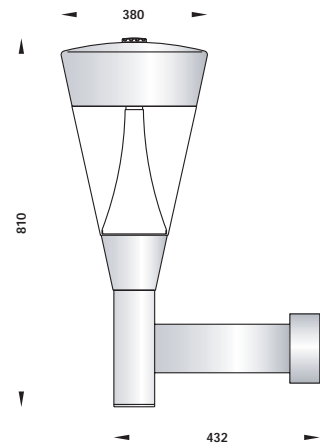


METAL HALIDE
Ordering Code:
7611-0-3-711-XX
HIE-CE E27
70W (5900 lm)



HIGH PRESSURE SODIUM
Ordering Code:
7611-0-3-611-XX
HSE-I E27
70W (6000 lm)

MERCURY VAPOUR
Ordering Code:
7611-0-3-511-XX
HME E27
80W (4000 lm)



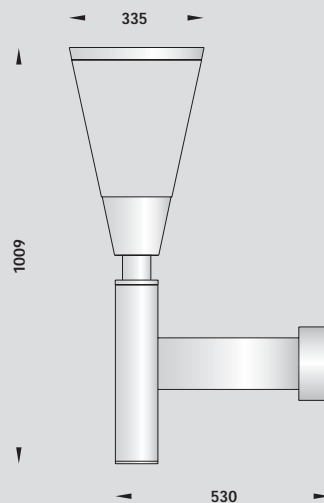
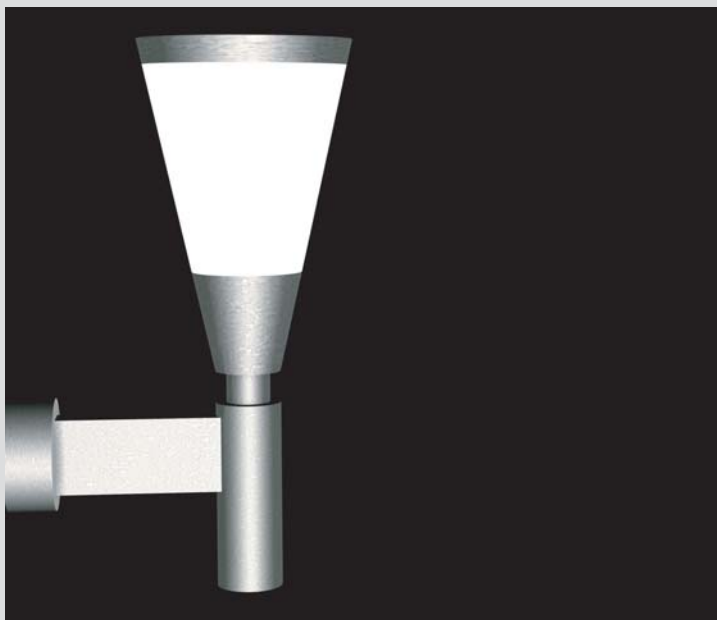
OD-7615

WALL BRACKET LIGHT



NEW FOR 2007

THIS IS PROVISION DATA ONLY.
ACTUAL DIMENSION AND LOOK
MAY DIFFER FROM THIS.



NEW FOR 2007
 THIS IS PROVISION DATA ONLY.
 ACTUAL DIMENSION AND LOOK
 MAY DIFFER FROM THIS.

SPECIFICATION

CONSTRUCTION: Fixture is manufactured in compliance with IEC 60598-1
 Electrical protection class 1. IP54

BODY: Head components in corrosion resistant cast and spun
 aluminium. Corrosion resistant extrusion aluminium S6063
 alloy supporting arm.

OPTIC COVER: UV stabilized high heat resistant opal PMMA diffuser
 Material from Mitsubishi - Japan.

FASTENING: All external screw is in 316 stainless steel with silicone
 grease dipping.

CABLE ENTRY: Protected by weather proof IP67 PG11 synthesized rubber
 grommet for H07RN-F cable 3G x1.0

LAMP HOLDER: E27 ceramic nickle-coated contact from Vossloh Schwabe -
 Germany / ENEC approved. For discharge/tungsten
 halogen lamp. T270 rating 4/250/5kV.
 Gx24q-4 holder in PBT phosphor bronze contact from AAG
 Stucchi - Italy / ENEC approved. For compact fluorescent
 lamp.
 T140 rating 2A-250V.

CONTROL GEAR: Magnetic ballast from Vossloh Schwabe - Germany / ENEC
 approved. 230V 50Hz tw130. For discharge lamp.
 High frequency electronic ballast from Vossloh Schwabe -
 Germany / ENEC approved. 220-240V 0-50-60Hz tc70 A2
 EEI class. For 4 pins compact fluorescent lamp.
 Electronic superimposed ignitor with automatic switch-off
 feature from Vossloh Schwabe - Germany / ENEC approved.
 Ignition voltage 4-5kV 220-240V 50-60Hz. For ceramic/quartz
 discharge lamp.
 Power factor correction for discharge lamp from Vossloh
 Schwabe - Germany or from Electronicon - Germany.
 ENEC approved.

WIRING: 1x0.75 tinned copper silicone rubber insulated cable from
 CET Eletric - Italy / IMQ approved. 2kV / -60°to +180°C
 service temperature. Double silicone insulation ignition wire.
 Tinned copper condutor. Impulsive voltage 5kV.
 Quick connector in PA6.6 from ADELS - Germany / VDE
 approved. Rating 16A/250V. Service temperature up to
 160°C. Tinned brass contact. Cross section 2.5mm².
 Wiring provided with earth connection.

PAINTING: First Stage: Chromatization treatment, resistant to
 corrosive and extreme environment.
 Second Stage: Coated with UV stabilized polyester powder
 in automatic chamber.
 Third Stage: Baked in digital temperature control room at
 200°C for 30 minutes.

AVAILABLE COLOR:

Black - RAL9005 (replace last 2 digits on ordering code with 01)
 Graphite - RAL7016 (replace last 2 digits on ordering code with 02)
 Dark Grey - RAL7037 (replace last 2 digits on ordering code with 03)
 Aluminium Silver - RAL9006 (replace last 2 digits on ordering code with 04)
 White - RAL9010 (replace last 2 digits on ordering code with 06)

METAL HALIDE
 Ordering Code:
7615-0-3-711-XX
 HIE-CE E27
 70W (5900 lm)

HIGH PRESSURE SODIUM
 Ordering Code:
7615-0-3-611-XX
 HSE-I E27
 70W (6000 lm)

MERCURY VAPOUR
 Ordering Code:
7615-0-3-511-XX
 HME E27
 80W (4000 lm)

MERCURY VAPOUR
 Ordering Code:
7615-0-3-512-XX
 HME E27
 125W (6500 lm)

COMPACT FLUORESCENT
 Ordering code:
7615-0-3-436-XX
 TC-TEL Gx24q-4
 42W (3200 lm)

E27 COMPACT FLUORESCENT
 Ordering code:
7615-0-2-495-XX
 TC-TSE E27
 23W (1500 lm)

OD-7610 / OD-7616

WALL BRACKET LIGHT



OD-7610



OD-7616

NEW FOR 2006

THIS IS PROVISION DATA ONLY.
ACTUAL DIMENSION AND LOOK
MAY DIFFER FROM THIS.

SPECIFICATION

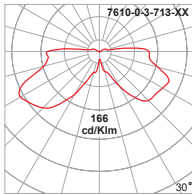
- CONSTRUCTION:** Fixture is manufactured in compliance with IEC 60598-1 Electrical protection class 1. IP54
- BODY:** Head components in corrosion resistant high-pressure die-cast aluminium ADC12 alloy. Top cover in thick spun aluminium. Corrosion resistant extrusion aluminium S6063 alloy supporting arm.
- OPTIC COVER:** UV stabilized high heat resistant prismatic / opal PMMA diffuser Material from Mitsubishi - Japan.
- REFLECTOR:** High purity anodised aluminium plate.
- PROTECTION:** Weather proof and durable silicone gasket.
Service temperature -40°to +200°C.
- FASTENING:** All external screw is in 316 stainless steel with silicone grease dipping.
- CABLE ENTRY:** Protected by weather proof IP67 PG11 synthesized rubber grommet for H07RN-F cable 3G x1.0
- LAMP HOLDER:** E27 ceramic nickle-coated contact from Vossloh Schwabe - Germany / ENEC approved. For discharge/tungsten halogen lamp. T270 rating 4/250/5kV.
Gx24q-4 holder in PBT phosphor bronze contact from AAG Stucchi - Italy / ENEC approved. For compact fluorescent lamp.
T140 rating 2A-250V.
- CONTROL GEAR:** Magnetic ballast from Vossloh Schwabe - Germany / ENEC approved. 230V 50Hz tw130. For discharge lamp.
High frequency electronic ballast from Vossloh Schwabe - Germany / ENEC approved. 220-240V 0-50-60Hz tc70 A2 EEI class. For 4 pins compact fluorescent lamp.
Electronic superimposed ignitor with automatic switch-off feature from Vossloh Schwabe - Germany / ENEC approved. Ignition voltage 4-5kV 220-240V 50-60Hz. For ceramic/quartz discharge lamp.
Power factor correction for discharge lamp from Vossloh Schwabe - Germany or from Electronicon - Germany. ENEC approved.
- WIRING:** 1x0.75 tinned copper silicone rubber insulated cable from CET Eletric - Italy / IMQ approved. 2kV / -60°to +180°C service temperature. Double silicone insulation ignition wire. Tinned copper conductor. Impulsive voltage 5kV.
Quick connector in PA6.6 from ADELS - Germany / VDE approved. Rating 16A/250V. Service temperature up to 160°C. Tinned brass contact. Cross section 2.5mm²
Wiring provided with earth connection.
- PAINTING:** First Stage: Chromatisation treatment, resistant to corrosive and extreme environment.
Second Stage: Coated with UV stabilized polyester powder in automatic chamber.
Third Stage: Baked in digital temperature control room at 200°C for 30 minutes.

AVAILABLE COLOR:

- Black - RAL9005 (replace last 2 digits on ordering code with 01)
Graphite - RAL7016 (replace last 2 digits on ordering code with 02)
Dark Grey - RAL7037 (replace last 2 digits on ordering code with 03)
Aluminium Silver - RAL9006 (replace last 2 digits on ordering code with 04)
White - RAL9010 (replace last 2 digits on ordering code with 06)

NEW FOR 2006

THIS IS PROVISION DATA ONLY.
ACTUAL DIMENSION AND LOOK
MAY DIFFER FROM THIS.

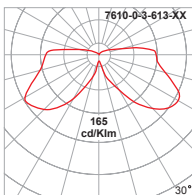
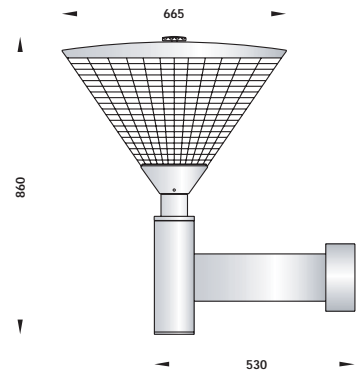


METAL HALIDE
Ordering Code:
7610-0-3-711-XX
7616-0-3-711-XX
HIE-CE E27
70W (5900 lm)

E27 COMPACT FLUORESCENT
Ordering code:
7610-0-2-495-XX
7616-0-2-495-XX
TC-TSE E27
23W (1500 lm)

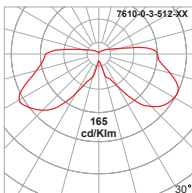
METAL HALIDE
Ordering Code:
7610-0-3-713-XX
7616-0-3-713-XX
HIE-CE E27
150W (13000 lm)

HIGH PRESSURE SODIUM
Ordering Code:
7610-0-3-611-XX
7616-0-3-611-XX
HSE-I E27
70W (6000 lm)

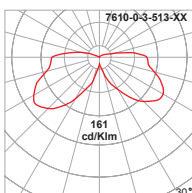


HIGH PRESSURE SODIUM
Ordering Code:
7610-0-3-613-XX
7616-0-3-613-XX
HSE E40
150W (14500 lm)

MERCURY VAPOUR
Ordering Code:
7610-0-3-511-XX
7616-0-3-511-XX
HME E27
80W (4000 lm)



MERCURY VAPOUR
Ordering Code:
7610-0-3-512-XX
7616-0-3-512-XX
HME E27
125W (6500 lm)



MERCURY VAPOUR
Ordering Code:
7610-0-3-513-XX
7616-0-3-513-XX
HME E40
250W (14000 lm)

OD-7607 / OD-7608

WALL BRACKET LIGHT



OD-7607



OD-7608

NEW FOR 2006

THIS IS PROVISION DATA ONLY.
ACTUAL DIMENSION AND LOOK
MAY DIFFER FROM THIS.

SPECIFICATION

CONSTRUCTION: Fixture is manufactured in compliance with IEC 60598-1 Electrical protection class 1. IP54

BODY: Body in corrosion resistant extrusion aluminium S6063 alloy - copper<0.1% Components in corrosion resistant high-pressure die-cast aluminium ADC12 alloy.

OPTIC COVER: Weather proof and High heat resistant PMMA clear diffuser tube from Italy. High mechanical strength, surface hardness and abrasive resistant.

REFLECTOR: High purity anodised slanted aluminium ring louver.

FASTENING: All external screw is in 316 stainless steel with silicone grease dipping.

CABLE ENTRY: Protected by weather proof IP67 PG11 synthesized rubber grommet for H07RN-F cable 3G x1.0

LAMP HOLDER: E27 ceramic nickel-coated contact from Vossloh Schwabe - Germany / ENEC approved. For discharge/tungsten halogen lamp. T270 rating 4/250/5kV.

Gx24q-4 holder in PBT phosphor bronze contact from AAG Stucchi - Italy / ENEC approved.

For compact fluorescent lamp. T140 rating 2A-250V.

CONTROL GEAR: Magnetic ballast from Vossloh Schwabe - Germany / ENEC approved. 230V 50Hz tw130. For discharge lamp.

High frequency electronic ballast from Vossloh Schwabe - Germany / ENEC approved. 220-240V 0-50-60Hz tc70 A2 EEI class. For 4 pins compact fluorescent lamp.

Electronic superimposed ignitor with automatic switch-off feature from Vossloh Schwabe - Germany / ENEC approved. Ignition voltage 4-5kV 220-240V 50-60Hz. For ceramic/quartz discharge lamp.

Power factor correction for discharge lamp from Vossloh Schwabe - Germany or from Electronicon - Germany. ENEC approved.

WIRING: 1x0.75 tinned copper silicone rubber insulated cable from CET Elettric - Italy / IMQ approved. 2kV / -60°to +180°C service temperature. Double silicone insulation ignition wire. Tinned copper conductor. Impulsive voltage 5kV.

Quick connector in PA6.6 from ADELS - Germany / VDE approved. Rating 16A/250V. Service temperature up to 160°C. Tinned brass contact. Cross section 2.5mm² Wiring provided with earth connection.

PAINTING: First Stage: Chromatization treatment, resistant to corrosive and extreme environment.

Second Stage: Coated with UV stabilized polyester powder in automatic chamber.

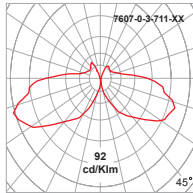
Third Stage: Baked in digital temperature control room at 200°C for 30 minutes.

AVAILABLE COLOR:

Black	- RAL9005 (replace last 2 digits on ordering code with 01)
Graphite	- RAL7016 (replace last 2 digits on ordering code with 02)
Dark Grey	- RAL7037 (replace last 2 digits on ordering code with 03)
Aluminium Silver	- RAL9006 (replace last 2 digits on ordering code with 04)
White	- RAL9010 (replace last 2 digits on ordering code with 06)

NEW FOR 2006

THIS IS PROVISION DATA ONLY.
ACTUAL DIMENSION AND LOOK
MAY DIFFER FROM THIS.



METAL HALIDE

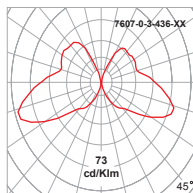
Ordering Code:
7607-0-3-711-XX
7608-0-3-711-XX
HIE-CE E27
70W (5900 lm)

HIGH PRESSURE SODIUM

Ordering Code:
7607-0-3-611-XX
7608-0-3-611-XX
HSE-I E27
70W (6000 lm)

MERCURY VAPOUR

Ordering Code:
7607-0-3-511-XX
7608-0-3-511-XX
HME E27
80W (4000 lm)

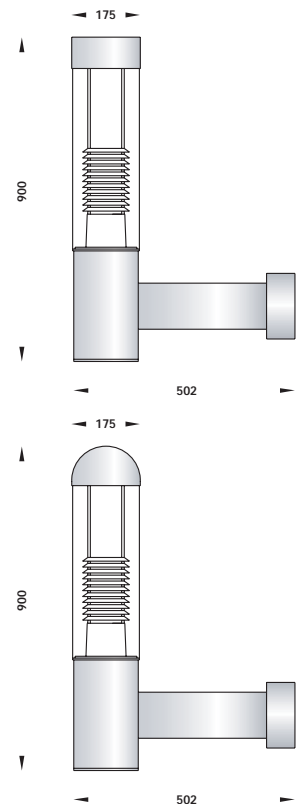


COMPACT FLUORESCENT

Ordering code:
7607-0-3-436-XX
7608-0-3-436-XX
TC-TEL Gx24q-4
42W (3200 lm)

E27 COMPACT FLUORESCENT

Ordering code:
7607-0-2-495-XX
7608-0-2-495-XX
TC-TSE E27
23W (1500 lm)



OD-7612

WALL BRACKET LIGHT



NEW FOR 2006

THIS IS PROVISION DATA ONLY.
ACTUAL DIMENSION AND LOOK
MAY DIFFER FROM THIS.

SPECIFICATION

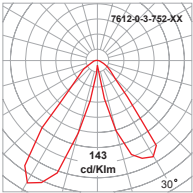
CONSTRUCTION:	Fixture is manufactured in compliance with IEC 60598-1 Electrical protection class 1. IP54
BODY:	Body in corrosion resistant extrusion aluminium S6063 alloy - copper<0.1% Components in corrosion resistant high-pressure die-cast aluminium ADC12 alloy.
OPTIC COVER:	UV stabilized and high heat resistant clear PMMA diffuser tube from Italy. Resistant to grease, oil, acid and cleaner.
REFLECTOR:	High purity anodised cone-shaped aluminium reflector.
FASTENING:	All external screw is in 316 stainless steel with silicone grease dipping.
CABLE ENTRY:	Protected by weather proof IP67 PG11 synthesized rubber grommet for H07RN-F cable 3G x1.0
LAMP HOLDER:	G12 holder in ceramic nickle-coated contact from Vossloh Schwabe - Germany / ENEC approved. For discharge lamp. T270 rating 4/250/5kV.
CONTROL GEAR:	Magnetic ballast from Vossloh Schwabe - Germany / ENEC approved. 230V 50Hz tw130. For discharge lamp. Electronic superimposed ignitor with automatic switch-off feature from Vossloh Schwabe - Germany / ENEC approved. Ignition voltage 4-5kV 220-240V 50-60Hz. For ceramic/quartz discharge lamp. Power factor correction for discharge lamp from Vossloh Schwabe - Germany or from Electronicon - Germany. ENEC approved.
WIRING:	1x0.75 tinned copper silicone rubber insulated cable from CET Electric - Italy / IMQ approved. 2kV / -60°to +180°C service temperature. Double silicone insulation ignition wire. Tinned copper conductor. Impulsive voltage 5kV. Quick connector in PA6.6 from ADELS - Germany / VDE approved. Rating 16A/250V. Service temperature up to 160°C. Tinned brass contact. Cross section 2.5mm ² . Wiring provided with earth connection.
PAINTING:	First Stage: Chromatisation treatment, resistant to corrosive and extreme environment. Second Stage: Coated with UV stabilized polyester powder in automatic chamber. Third Stage: Baked in digital temperature control room at 200°C for 30 minutes.

AVAILABLE COLOR:

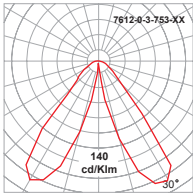
Black	- RAL9005 (replace last 2 digits on ordering code with 01)
Graphite	- RAL7016 (replace last 2 digits on ordering code with 02)
Dark Grey	- RAL7037 (replace last 2 digits on ordering code with 03)
Aluminium Silver	- RAL9006 (replace last 2 digits on ordering code with 04)
White	- RAL9010 (replace last 2 digits on ordering code with 06)

NEW FOR 2006

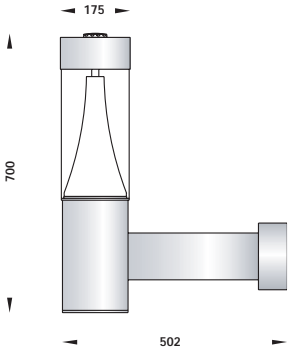
THIS IS PROVISION DATA ONLY.
ACTUAL DIMENSION AND LOOK
MAY DIFFER FROM THIS.



METAL HALIDE
Ordering Code:
7612-0-3-752-XX
HIT-CE G12
70W (6600 lm)



METAL HALIDE
Ordering Code:
7612-0-3-753-XX
HIT-CE G12
150W (14500 lm)



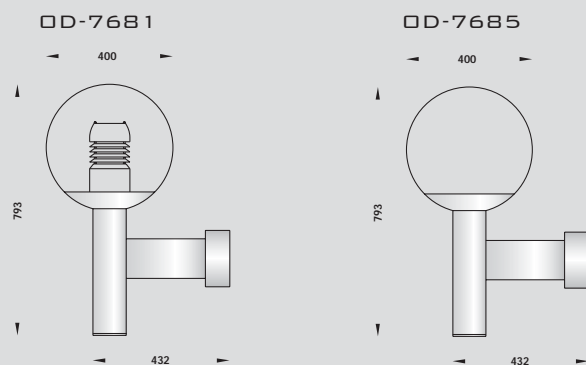
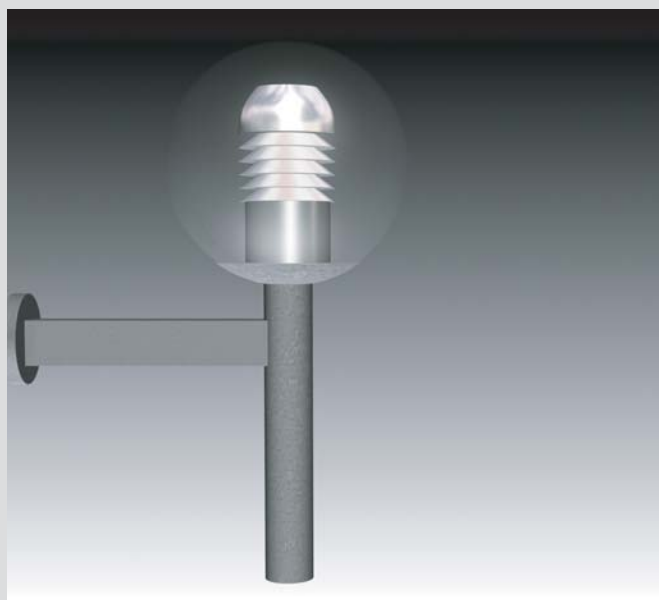
OD-7681 / OD-7685

WALL BRACKET LIGHT



NEW FOR 2007

THIS IS PROVISION DATA ONLY.
ACTUAL DIMENSION AND LOOK
MAY DIFFER FROM THIS.



NEW FOR 2007
 THIS IS PROVISION DATA ONLY.
 ACTUAL DIMENSION AND LOOK
 MAY DIFFER FROM THIS.

SPECIFICATION

CONSTRUCTION: Fixture is manufactured in compliance with IEC 60598-1 Electrical protection class 1. IP54

BODY: Head components in corrosion resistant high-pressure die-cast aluminium ADC12 alloy. Corrosion resistant extrusion aluminium S6063 alloy supporting arm.

OPTIC COVER: Self-extinguishing high impact resistant clear/opal polycarbonate diffuser with UV stabilized additive from Elkamet - Germany.

GLARE SHIELD: High purity anodised slanted aluminium ring louver (for OD-7681).

PROTECTION: Weather proof and durable silicone gasket. Service temperature -40°to +200°C.

FASTENING: All external screw is in 316 stainless steel with silicone grease dipping.

CABLE ENTRY: Protected by weather proof IP67 PG11 synthesized rubber grommet for H07RN-F cable 3G x1.0

LAMP HOLDER: E27 ceramic nickle-coated contact from Vossloh Schwabe - Germany / ENEC approved. For discharge/tungsten halogen lamp. T270 rating 4/250/5kV. Gx24q-4 holder in PBT phosphor bronze contact from AAG Stucchi - Italy / ENEC approved. For compact fluorescent lamp. T140 rating 2A-250V.

CONTROL GEAR: Magnetic ballast from Vossloh Schwabe - Germany / ENEC approved. 230V 50Hz tw130. For discharge lamp. High frequency electronic ballast from Vossloh Schwabe - Germany / ENEC approved. 220-240V 0-50-60Hz tc70 A2 EEI class. For 4 pins compact fluorescent lamp. Electronic superimposed ignitor with automatic switch-off feature from Vossloh Schwabe - Germany / ENEC approved. Ignition voltage 4-5kV 220-240V 50-60Hz. For ceramic/quartz discharge lamp. Power factor correction for discharge lamp from Vossloh Schwabe - Germany or from Electronicon - Germany. ENEC approved.

WIRING: 1x0.75 tinned copper silicone rubber insulated cable from CET Eletric - Italy / IMQ approved. 2kV / -60°to +180°C service temperature. Double silicone insulation ignition wire. Tinned copper condutor. Impulsive voltage 5kV. Quick connector in PA6.6 from ADELS - Germany / VDE approved. Rating 16A/250V. Service temperature up to 160°C. Tinned brass contact. Cross section 2.5mm². Wiring provided with earth connection.

PAINTING: First Stage: Chromatzation treatment, resistant to corrosive and extreme environment. Second Stage: Coated with UV stabilized polyester powder in automatic chamber. Third Stage: Baked in digital temperature control room at 200°C for 30 minutes.

AVAILABLE COLOR:

Black - RAL9005 (replace last 2 digits on ordering code with 01)
 Graphite - RAL7016 (replace last 2 digits on ordering code with 02)
 Dark Grey - RAL7037 (replace last 2 digits on ordering code with 03)
 Aluminium Silver - RAL9006 (replace last 2 digits on ordering code with 04)
 White - RAL9010 (replace last 2 digits on ordering code with 06)

METAL HALIDE
 Ordering Code:
7681-0-3-711-XX
7685-0-3-711-XX
 HIE-CE E27
 70W (5900 lm)

HIGH PRESSURE SODIUM
 Ordering Code:
7681-0-3-611-XX
7685-0-3-611-XX
 HSE-I E27
 70W (6000 lm)

MERCURY VAPOUR
 Ordering Code:
7681-0-3-511-XX
7685-0-3-511-XX
 HME E27
 80W (4000 lm)

COMPACT FLUORESCENT
 Ordering code:
7681-0-3-436-XX
7685-0-3-436-XX
 TC-TEL Gx24q-4
 42W (3200lm)

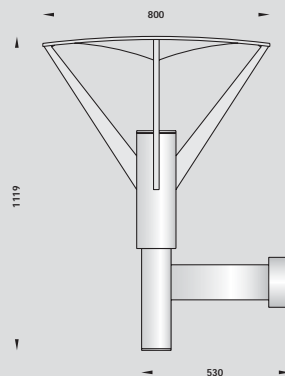
OD-7622

INDIRECT WALL BRACKET LIGHT



NEW FOR 2006

THIS IS PROVISION DATA ONLY.
ACTUAL DIMENSION AND LOOK
MAY DIFFER FROM THIS.



NEW FOR 2006
 THIS IS PROVISION DATA ONLY.
 ACTUAL DIMENSION AND LOOK
 MAY DIFFER FROM THIS.

SPECIFICATION

CONSTRUCTION: Fixture is manufactured in compliance with IEC 60598-1 Electrical protection class 1. IP65

BODY: Body components in corrosion resistant high-pressure die-cast aluminium ADC12 alloy. Corrosion resistant extrusion aluminium S6063 alloy supporting arm.

OPTIC COVER: Impact resistant transparent safety tempered glass. Able to stand sudden change in temperature of up to 250 C.

REFLECTOR: Primary reflector in high purity anodized aluminium 99.90%. Secondary reflector in white thick spun aluminium

PROTECTION: Weather proof and durable silicone gasket. Service temperature -40 to +200 C.

FASTENING: All external screw is in 316 stainless steel with silicone grease dipping.

CABLE ENTRY: Protected by weather proof IP67 PG11 synthesized rubber grommet for H07RN-F cable 3G x1.0

LAMP HOLDER: G12 holder in ceramic nickel-coated contact from Vossloh Schwabe - Germany / ENEC approved. For discharge lamp. T270 rating 4/250/5kV.

CONTROL GEAR: Magnetic ballast from Vossloh Schwabe - Germany / ENEC approved. 230V 50Hz tw130. For discharge lamp. Electronic superimposed ignitor with automatic switch-off feature from Vossloh Schwabe - Germany / ENEC approved. Ignition voltage 4-5kV 220-240V 50-60Hz. For ceramic/quartz discharge lamp. Power factor correction for discharge lamp from Vossloh Schwabe - Germany or from Electronicon - Germany. ENEC approved.

WIRING: 1x0.75 silicone rubber insulated cable with fiberglass braid from CET Electric - Italy / IMQ approved. 2kV / -60°to +180°C service temperature. Double silicone insulation ignition wire. Tinned copper conductor. Impulsive voltage 5kV. Quick connector in PA6.6 from ADELS - Germany / VDE approved. Rating 16A/250V. Service temperature up to 160°C. Tinned brass contact. Cross section 2.5mm². Wiring provided with earth connection.

PAINTING: First Stage: Chromatization treatment, resistant to corrosive and extreme environment. Second Stage: Coated with UV stabilized polyester powder in automatic chamber. Third Stage: Baked in digital temperature control room at 200°C for 30 minutes.

METAL HALIDE
 Ordering Code:
7622-0-3-752-XX
 HIT-CE G12
 70W (6600 lm)

METAL HALIDE
 Ordering Code:
7622-0-3-753-XX
 HIT-CE G12
 150W (14500 lm)

AVAILABLE COLOR:

Black - RAL9005 (replace last 2 digits on ordering code with 01)
 Graphite - RAL7016 (replace last 2 digits on ordering code with 02)
 Dark Grey - RAL7037 (replace last 2 digits on ordering code with 03)
 Aluminium Silver - RAL9006 (replace last 2 digits on ordering code with 04)
 White - RAL9010 (replace last 2 digits on ordering code with 06)